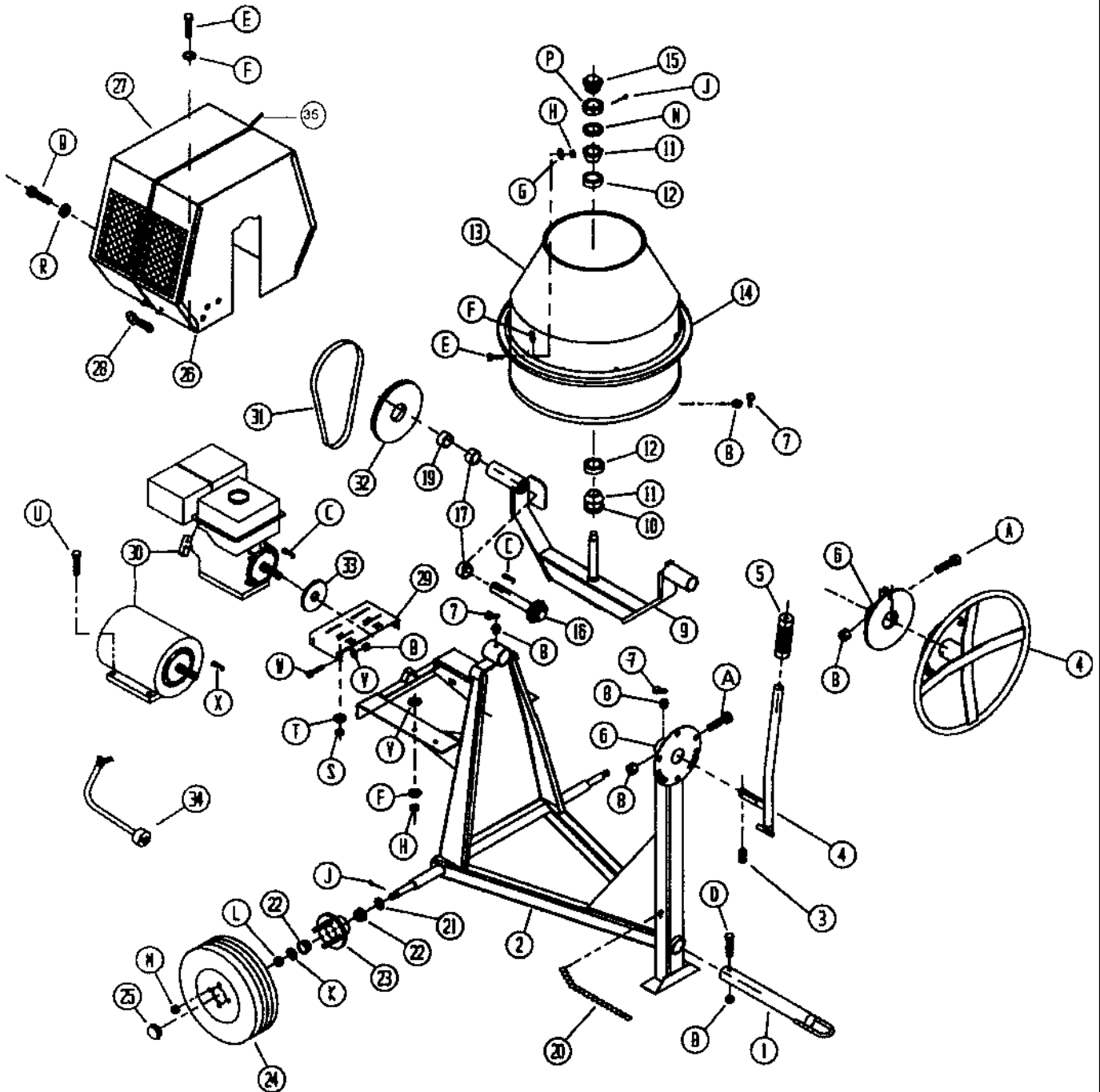


# PARTS LIST

## Frame, Drum, and Engine Assembly



45CM drum assy

# PARTS LIST

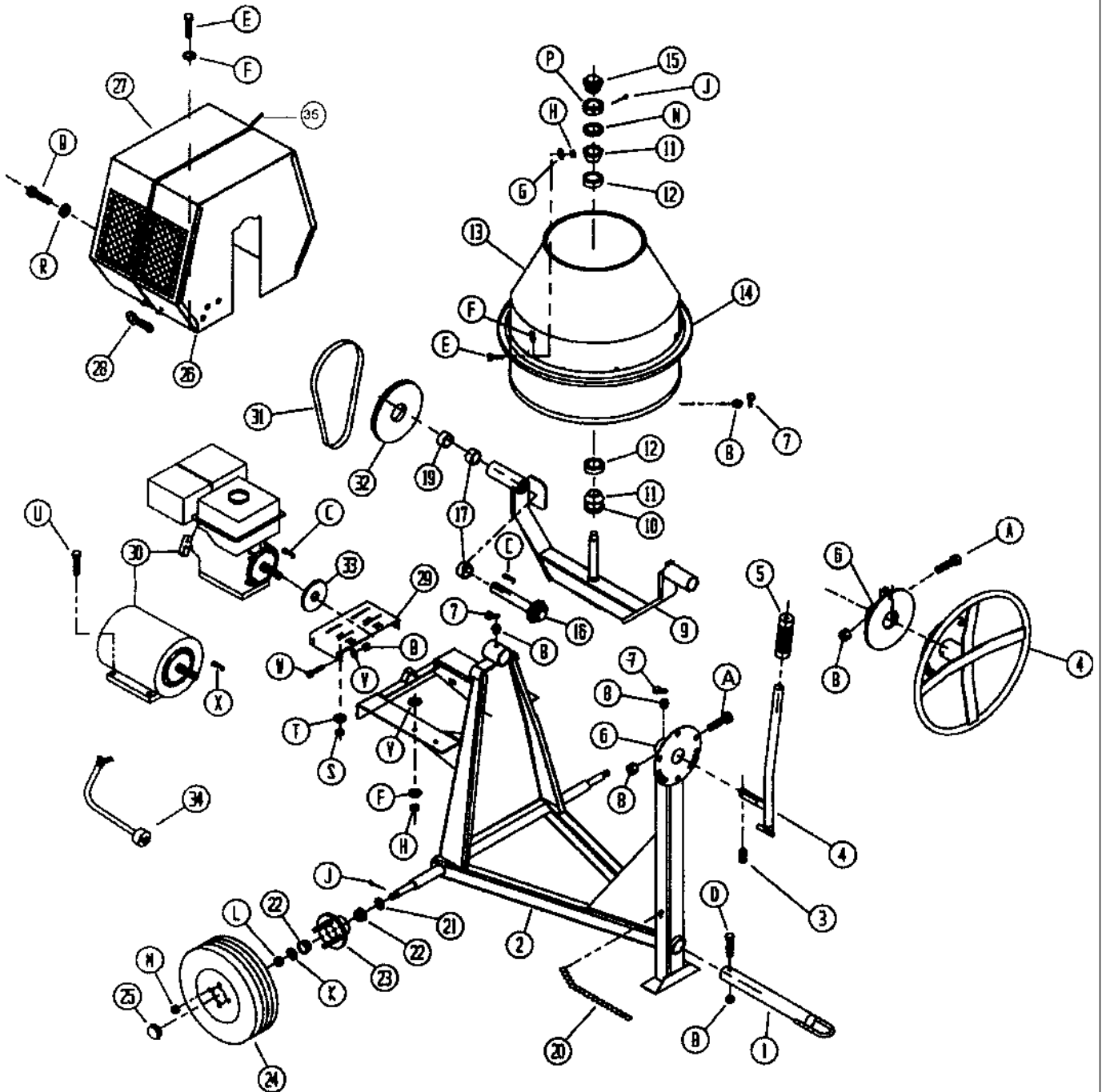
## Frame, Drum, and Engine Assembly

Item	Part No.	Description	Qty.
1	26096-2	Towpole	1
2	50105	Frame Weld	1
3	44097	Spring (45CM)	1
4	26380-2	Tilt Handle Weld (45CM)	1
	22921-2	Tilt Handle Weld (55CM)	1
5	47023	Grip Hand (45CM)	1
6	50101	Tilt Plate Weld (45CM)	1
	50104	Tilt Plate Weld (55CM)	1
7	47001	Cap Blue	3
8	46042	Fitting 1641-B	3
9	22922-2	Yoke Weld (45CM)	1
	22923-2	Yoke Weld (55CM)	1
10	32079	Seal CR 14975	1
11	32076	Cone Race Bearing	2
12	32075	Cup Bearing	2
13	21433-2	Drum & Ring Gear (45CM)	1
	22924-2	Drum & Ring Gear (55CM)	1
14*	26406-2	Gear Ring	1
15	28220	Plug & Gasket	1
16	26521	Pinion Assembly	1
17	32073	Bearing Yoke	2
18	43104	Tilt Lever (55CM)	1
19	34643	1" Shaft Collar 2 X 571	1
20	22126	Kit Safety Chain	1
21	32210	Seal	2
22	32119	Bearings Ball Inch Type	4
23	34501	Hub 4 Bolt W/Tapered Hub	2
24	34605	Tire Assy 4.80 X 8	2
25	35473	Dust Cap	2
26	44406-2	Cowl Stat Gas	1
	44407-2	Cowl Stat Electric	1

\* Can be sold separately  
 ++ Kit Cowl Full includes items 26, 27, 28, 29, & decals  
 +++ Kit Cowl MVBL includes items 27, 28, 29, & decals

# PARTS LIST

## Frame, Drum, and Engine Assembly



45CM drum assy

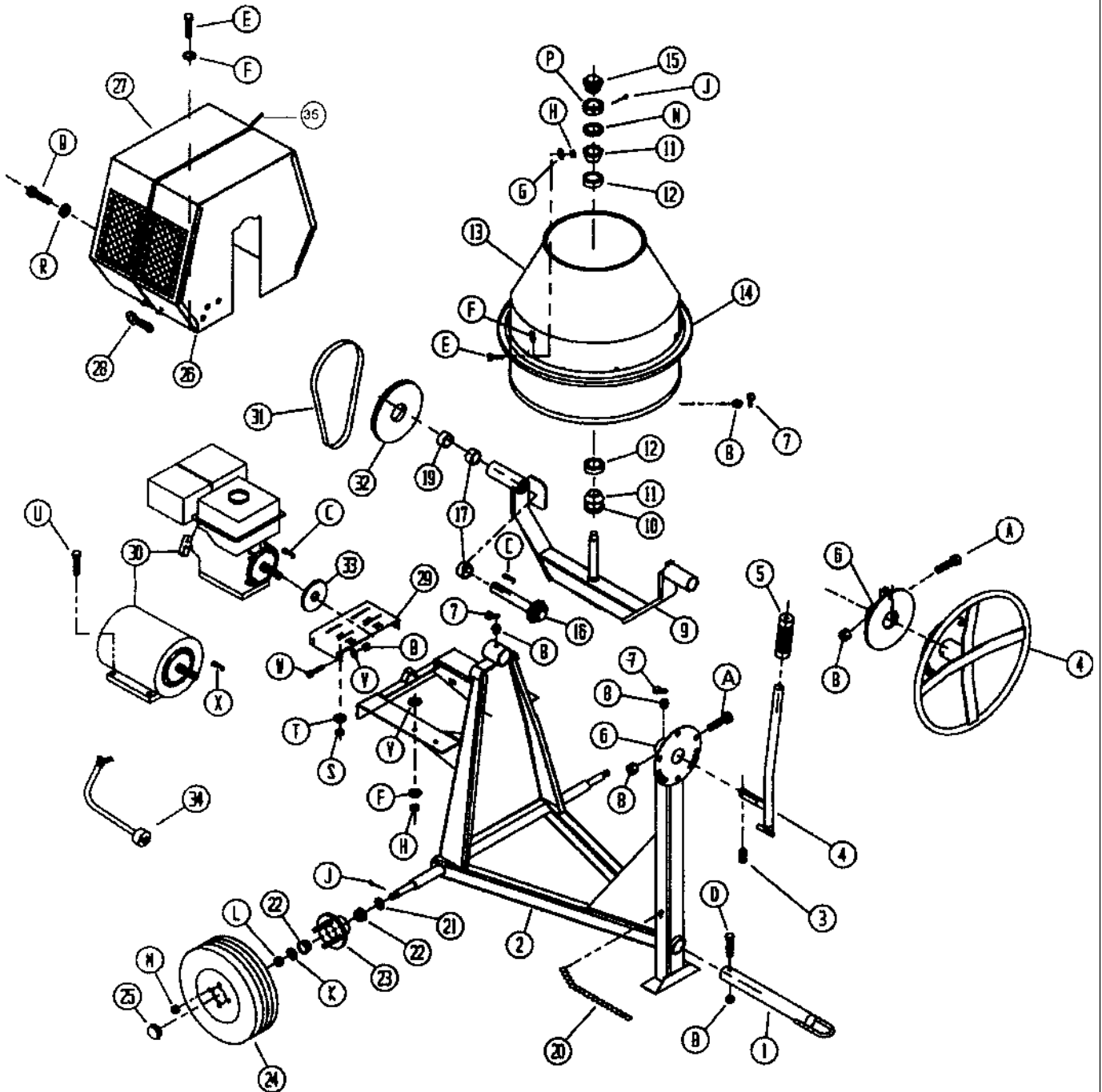
# PARTS LIST

## Frame, Drum, and Engine Assembly

Item	Part No.	Description	Qty.
27	44410-2	Cowl MVBL	1
28	47182	Latch Rubber	3
++	23228	Kit Cowl Full Gas	
+++	23223	Kit Cowl MVB	
29	28040	Motor Base (3hp B&S, 5hp B&S, 5hp B&S I/P, 5hp Honda)	1
	28044	Motor Base (3/4hp Electric)	1
30	30071	Engine (3hp B&S)	1
	30586	Engine (5hp B&S)	1
	30587	Engine (5hp B&S I/P)	1
	30159	Engine (5hp Honda)	1
	31202	Motor (3/4hp Electric)	1
31	34649	V-Belt 4L600 (All except 3/4hp Electric)	1
	35277	V-Belt 4L500(3/4hp Electric)	1
32	30078	Sheave 18" OD (All except 3/4hp Electric)	1
	34621	Sheave 12" OD (3/4hp Electric)	1
33	34696	Sheave AK20 x 3/4 (All except 3/4hp Electric)	1
	34995	Sheave AK22 x 5/8 (3/4hp Electric)	1
34	48318	Cord Assembly (3/4hp Electric)	1
35	44368	Pin Hinge	1

# PARTS LIST

## Frame, Drum, and Engine Assembly



45CM drum assy

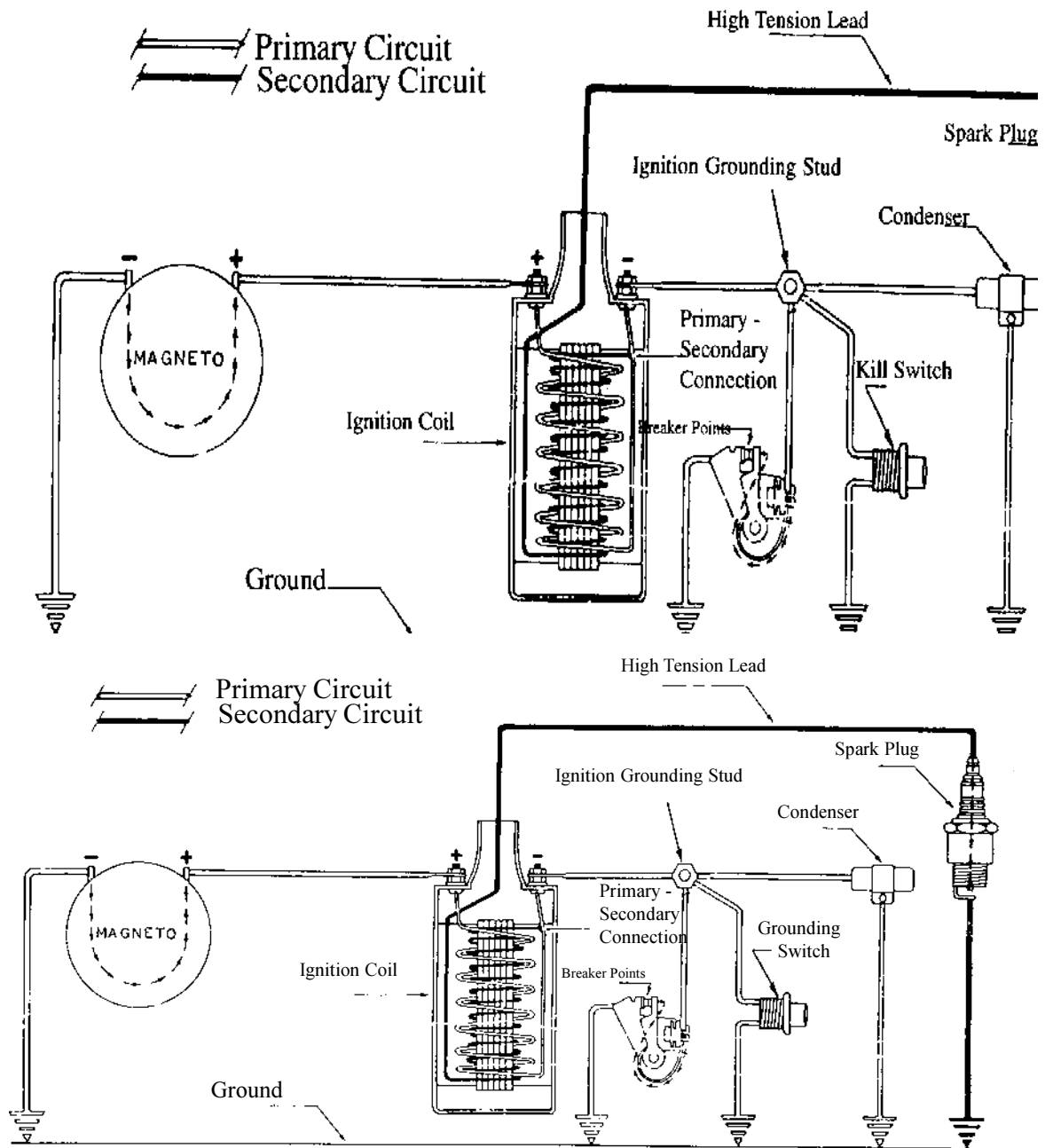
# PARTS LIST

## Frame, Drum, and Engine Assembly

Item	Part No.	Description	Qty.
A	80378	HHCS 1/2-13 x 1	2
B	80051	NUTNY 1/2-13 ZN (Gas)	7
	80051	NUTNY 1/2-13 ZN (Electric)	8
C	80100	KEY SQUARE 1/4 X 1/4 X 1 (Gas)	2
	80100	KEY SQUARE 1/4 X 1/4 X 1 (Electric)	1
D	80197	HHCS 1/2-13 X 4 ZN (Gas)	2
	80197	HHCS 1/2-13 X 4 ZN (Electric)	1
E	80145	HHCS 3/8-16 X 1 1/4 ZN	4
F	80342	WSHR 3/8 SAE ZN	14
G	46045	WSHR .40 OD X 1.5 ID .62 ZN	6
H	80056	NUTNY 3/8 - 16 ZN	10
J	80582	PINCT 1/8 X 1 3/4 ZN	3
K	80344	WSHR 3/4 SAE ZN	2
L	80054	NTSEFX 3/4-16 SLID ZN	2
M	80045	LGNUT 1/2-20 ZN	8
N	80345	WSHR 1" SAE ZN	1
P	80366	NTSEFX 1 X 14-14 HGT SLTD ZN	1
Q	80085	HWHTB 5/16-18 X 1 ZN	2
R	80348	WSHR 5/16 WROT ZN	2
S	80114	NUTNY 5/16-18 ZN	4
T	26325	WSHR MTR BASE	4
U	80467	HHCS 5/16-18 X 1 3/4 ZN	4
V	80118	WSHR 1/2 WROT ZN	8
	80075	HHCS 1/2-13 X 1 1/2 ZN	4
X	80060	KEY SQUARE 3/16 X 3/16 X 1 (Gas)	-
	80060	KEY SQUARE 3/16 X 3/16 X 1 (Electric)	1
Y	80176	HHCS 3/8 - 16 x 1-1/2	6

# PARTS LIST

## Grounding Switch



The switch is a single pole single throw (SPST) normally open, momentary contacts push button which grounds out the ignition voltage when pressed. To stop the engine, depress the button and hold in until the engine comes to a complete stop.

Periodically inspect the grounding switch and associated wiring to make sure the system is operating properly. Make sure that there are no loose connections or bare / broken wires. Also make sure that the grounding switch wires are fastened securely out of the way of hot exhaust and engine parts, moving drive components, and pinch points.

# PARTS LIST

## Grounding Switch

Item	Part No.	Description	Qty.
1	36099	Grounding Switch	1
2	55054	Decal Engine Stop	1
3	21930	Lead Ground 110	2
A	*	6-32 X 1/4 Pan Head Screw	2
B	*	Lock Nut	1

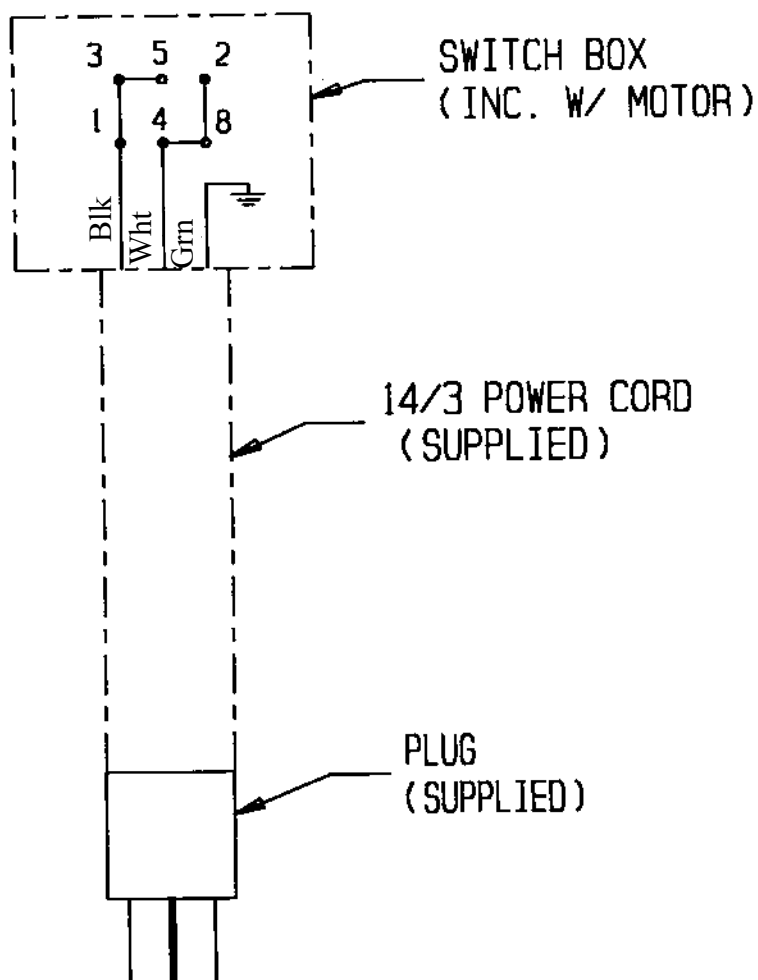
\*  
These parts not available separately, they come with the  
grounding switch only.



# PARTS LIST

## Electric Wiring

3/4 HP ELECTRIC WIRING  
115 VOLT 10.8 AMP.



USE 12/3 EXTENSION  
CORD OR BETTER FOR  
POWER SUPPLY

P/N 31202 MOTOR 3/4 HP 115V  
MOTOR MFG: BALDOR  
CAT NO: L1307