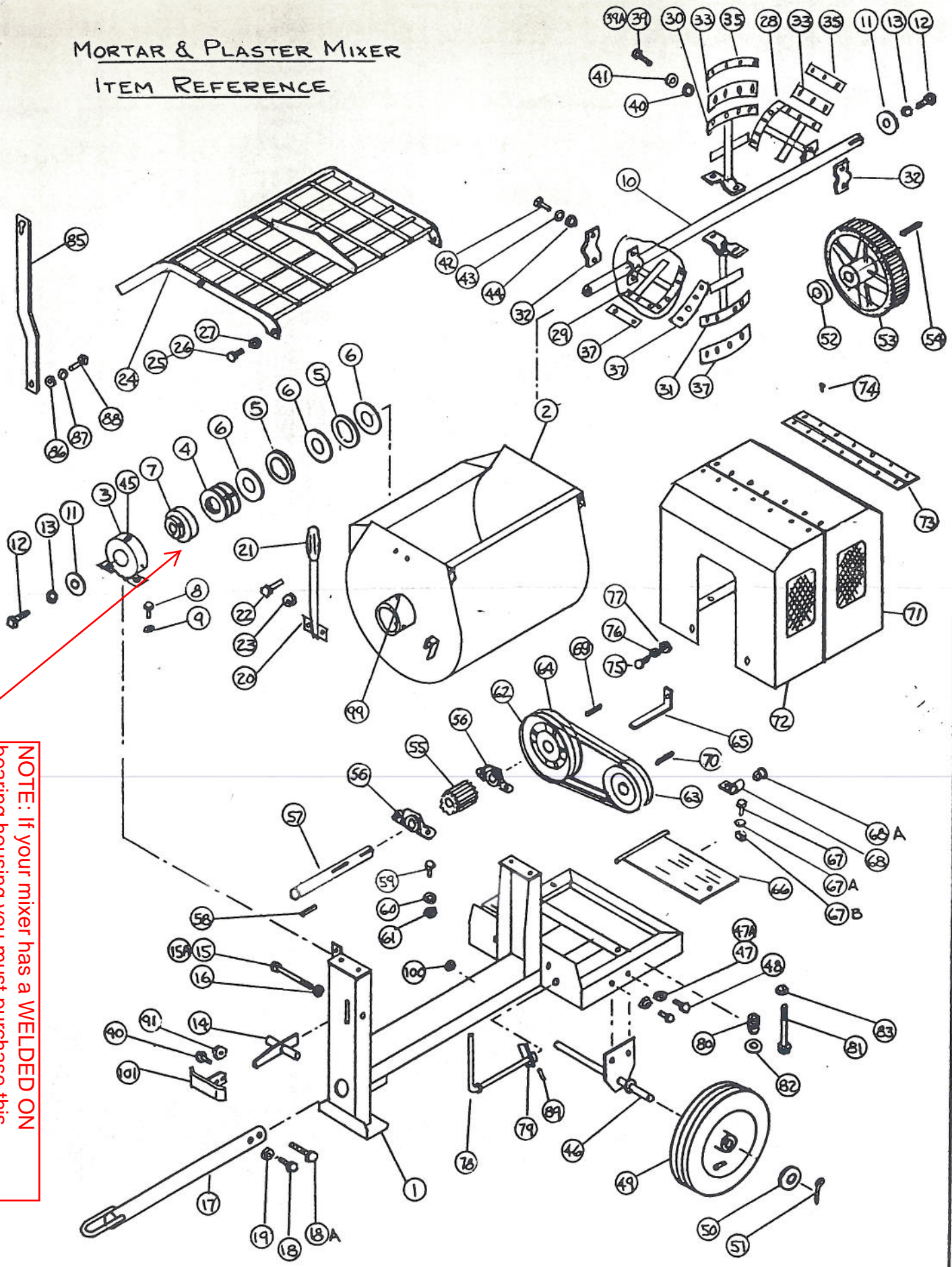


# MORTAR & PLASTER MIXER

## ITEM REFERENCE



**NOTE:** If your mixer has a **WELDED ON** bearing housing you must purchase this bearing kit version: ST22153  
 The ST23432 featured here is for the **BOLT** on version **ONLY**.

ITEM	DESCRIPTION	45PM	56PM	67PM
1	Frame	(1) 24204	(1) 24020	(1) 24067
2	Drum	(1) 24202	(1) 24026	(1) 24203
3	Trunnion	(2) 24021	(2) 24021	(2) 24021
4	Spacer	(2) 24215	(2) 24215	(2) 24215
5	Spacer	(4) 24017	(4) 24017	(4) 24017
6	Seal	(6) 24022	(6) 24022	(6) 24022
7	Bearing	(2) 32003	(2) 32003	(2) 32003
8	Capscrew	(4) 3/8-16 x 1	(4) 3/8-16 x 1	(4) 3/8-16 x 1
9	Washer	(4) 3/8	(4) 3/8	(4) 3/8
10	Shaft	(1) 24205	(1) 24037	(1) 24212
11	Washer	(2) 5/8	(2) 5/8	(2) 5/8
12	Capscrew	(2) 5/8-11 x 1-1/4	(2) 5/8-11 x 1-1/4	(2) 5/8-11 x 1-1/4
13	Lockwasher	(2) 5/8	(2) 5/8	(2) 5/8
14	Latch	(1) 24027	(1) 24027	(1) 24027
15	Capscrew	(1) 1/2-13 x 6	(1) 1/2-13 x 6	(1) 1/2-13 x 6
15A	Lockwasher	(1) 1/2	(1) 1/2	(1) 1/2
16	Hex Nut	(1) 1/2-13	(1) 1/2-13	(1) 1/2-13
17	Tow Pole	(1) 24034	(1) 24034	(1) 24034
18	Capscrew	(1) 1/2-13 x 2-1/2	(1) 1/2-13 x 2-1/2	(1) 1/2-13 x 2-1/2
18 A	Capscrew	(1) 1/2-13 x 3"	(1) 1/2-13 x 3"	(1) 1/2-13 x 3"
19	Hex Nut	(2) 1/2-13	(2) 1/2-13	(2) 1/2-13
20	Handle	(1) 24406	(1) 24406	(1) 24406
21	Grip	(1) 47000	(1) 47000	(1) 47000
22	Capscrew	(2) 3/8-16 x 1	(2) 3/8-16 x 1	(2) 3/8-16 x 1
23	Hex Kep	(1) 3/8-16	(1) 3/8-16	(1) 3/8-16
24	Guard	(1) 24208	(1) 24045	(1) 24211
25	Capscrew	(2) 3/8-16 x 1-1/4	(2) 3/8-16 x 1-1/4	(2) 3/8-16 x 1-1/4
26	Washer	(2) 3/8	(2) 3/8	(2) 3/8
27	Flexloc	(2) 3/8-16	(2) 3/8-16	(2) 3/8-16
28	Paddle (EE)	(1) 24011	(1) 24043	(1) 24222
29	Paddle (TE)	(1) 24013	(1) 24044	(1) 24219
30	Paddle (TC)	(1) 24012	(1) 24041	(1) 24220
31	Paddle (EC)	(1) 24014	(1) 24042	(1) 24221
32	Clamp	(2) 24029	(2) 24029	(4) 24029
33	Rubber Blade (Set)	(1) 21018	(1) 21018	(1) 21047
35	Backer (Set)	(1) 21025	(1) 21025	(1) 21048
37	Steel Blade (Set)	(1) 21023	(1) 21023	(1) 21065
39	Carriage Bolt S/B	(22) 3/8-16 x 1	(22) 3/8-16 x 1	(22) 3/8-16 x 1
39A	Carriage Bolt R/B	(22) 3/8-16 x 1-1/4	(22) 3/8-16 x 1-1/4	(22) 3/8-16 x 1-1/4
40	Square Nut	(22) 3/8-16	(22) 3/8-16	(22) 3/8-16
41	Lockwasher S/B	(22) 3/8	(22) 3/8	(22) 3/8
42	Capscrew	(6) 1/2-13 x 1-1/2	(6) 1/2-13 x 1-1/2	(8) 1/2-13 x 1-1/2
43	Lockwasher	(6) 1/2	(6) 1/2	(8) 1/2
44	Hex Nut	(6) 1/2-13	(6) 1/2-13	(8) 1/2-13
45	Lube Fitting	(2) 46005	(2) 46005	(2) 46005
46	Axle	(1) 24207	(1) 24035	(1) 24035
47	Hex Kep Nut	(4) 3/8-16	(4) 7/16-14	(4) 7/16-14
47A	Lockwasher		(4) 7/16	(4) 7/16
48	Carriage Bolt	(4) 3/8-16 x 1	(4) 7/16-14 x 1	(4) 7/16-14 x 1
49	Tire & Rim	(2) 34019	(2) 34015	(2) 34015
50	Washer	(2) 3/4	(2) 1	(2) 1
51	Latner Pin	(2) 1/8 x 1-1/4	(2) 1/8 x 2	(2) 1/8 x 2
52	Spacer	(1) 24048	(1) 24048	(1) 24048
53	Gear	(1) 24327	(1) 24329	(1) 24329
54	Key (Gear)	(1) 3/8 x 1-1/4	(1) 3/8 x 1-1/2	(1) 3/8 x 1-1/2
55	Pinion	(1) 24326	(1) 24328	(1) 24328
56	Pillowblock	(2) 32009	(2) 32002	(2) 32002
57	Countershaft	(1) 24009	(1) 24036	(1) 24036
58	Key (Pinion)	(1) 3/8 x 1-1/4	(1) 1/4 x 1-1/4	(1) 1/4 x 1-1/4
59	Capscrew	(4) 3/8-16 x 1	(4) 3/8-16 x 1	(4) 3/8-16 x 1
60	Washer	(4) 3/8	(4) 3/8	(4) 3/8
61	Hex Kep Nut	(4) 3/8-16	(4) 3/8-16	(4) 3/8-16
62	Sheave (Cntshft)	(1) 34066	(1) 34056	(1) 34056
63	Sheave (B&S)	(1) 34065	(1) 34051	(1) 34051
	Sheave (Wisc.)		(1) 34050	(1) 34050
64	V-Belt (B&S)	(2) 34063 (4L280)	(2) 34014 (4L350)	(2) 34014 (4L350)
	V-Belt (Wisc.)		(2) 34029 (4L330)	(2) 34029 (4L330)
65	Belt Guide	(1) 24054	(1) 24054	(1) 24054
66	Mount Plate	(1) 24384	(1) 24384	(1) 24384
67	Capscrew	(2) 1/2-13 x 1"	(2) 1/2-13 x 1"	(2) 1/2-13 x 1"
67 A	Lockwasher	(2) 1/2	(2) 1/2	(2) 1/2
67 B	Nut	(2) 1/2-13	(2) 1/2-13	(2) 1/2-13
68	Bracket	(2) 24385	(2) 24385	(2) 24385
69	Key (Driven)	(1) 3/16 x 1-1/4	(1) 1/4 x 1-1/4	(1) 1/4 x 1-1/4
70	Key (Engine)	(1) 3/16 x 1-1/4	(1) 1/4 x 1-1/4	(1) 1/4 x 1-1/4
71	Cowl (Front)	(1) 24210	(1) 24019	(1) 24019
72	Cowl (Rear)	(1) 24209	(1) 24018	(1) 24018
73	Hinge	(1) 24243	(1) 24146	(1) 24146
74	Rivet	(21) 44001	(22) 44001	(22) 44001
75	Capscrew	(4) 3/8-16 x 1	(4) 3/8-16 x 1	(4) 3/8-16 x 1
76	Washer	(4) 3/8	(4) 3/8	(4) 3/8
77	Hex Kep Nut	(4) 3/8-16	(4) 3/8-16	(4) 3/8-16
78	Lever	(1) 24389	(1) 24386	(1) 24386
79	Cam	(1) 24387	(1) 24387	(1) 24387
80	Spring	(1) 34016	(1) 34016	(1) 34016
81	Capscrew	(1) 1/2-13 x 6	(1) 1/2-13 x 6	(1) 1/2-13 x 6
82	Washer	(1) 1/2	(1) 1/2	(1) 1/2
83	Flexloc	(1) 1/2-13	(1) 1/2-13	(1) 1/2-13
85	Lifter		(1) 24126	(1) 24126
86	Flexloc		(1) 3/8-16	(1) 3/8-16
87	Washer		(1) 3/8	(1) 3/8
88	Capscrew		(1) 3/8-16 x 1-1/4	(1) 3/8-16 x 1-1/4
89	Spirol Pin	(1) 1/4 x 1	(1) 1/4 x 1	(1) 1/4 x 1
90	Capscrew			
91	Hex Kep			
95*	Engine (B&S)	(1) 30025	(1) 30005	(1) 30005
	Engine (Wisc.)		(1) 30006	(1) 30006
96*	Capscrew (B&S)	(4) 5/16-18 x 1-3/4	(4) 5/16-18 x 1-3/4	(4) 5/16-18 x 1-3/4
	Capscrew (Wisc.)		(4) 3/8-16 x 1-1/2	(4) 3/8-16 x 1-1/2
97*	Washer (B&S)	(4) 5/16	(4) 5/16	(4) 5/16
	Washer (Wisc.)		(4) 3/8	(4) 3/8
98*	Hex Kep (B&S)	(4) 5/16-18	(4) 5/16-18	(4) 5/16-18
	Hex Kep (Wisc.)		(4) 3/8-16	(4) 3/8-16
99	Lube Fitting	(2) 46012	(2) 46012	(2) 46012
100	Bumper	(2) 47012	(2) 47012	(2) 47012
101	Knee Lift			

\* Not shown in diagram