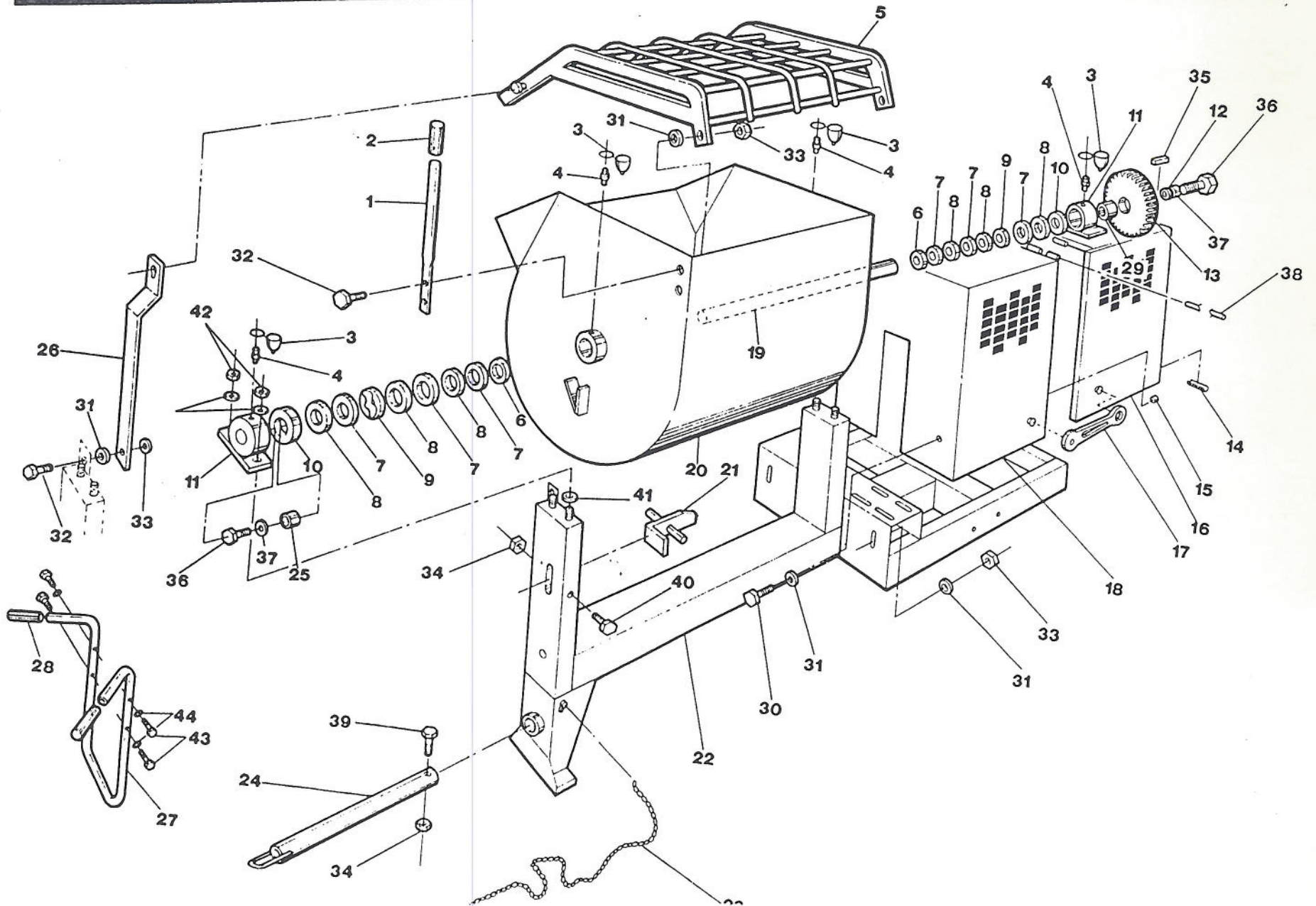


Frame and Drum Assembly



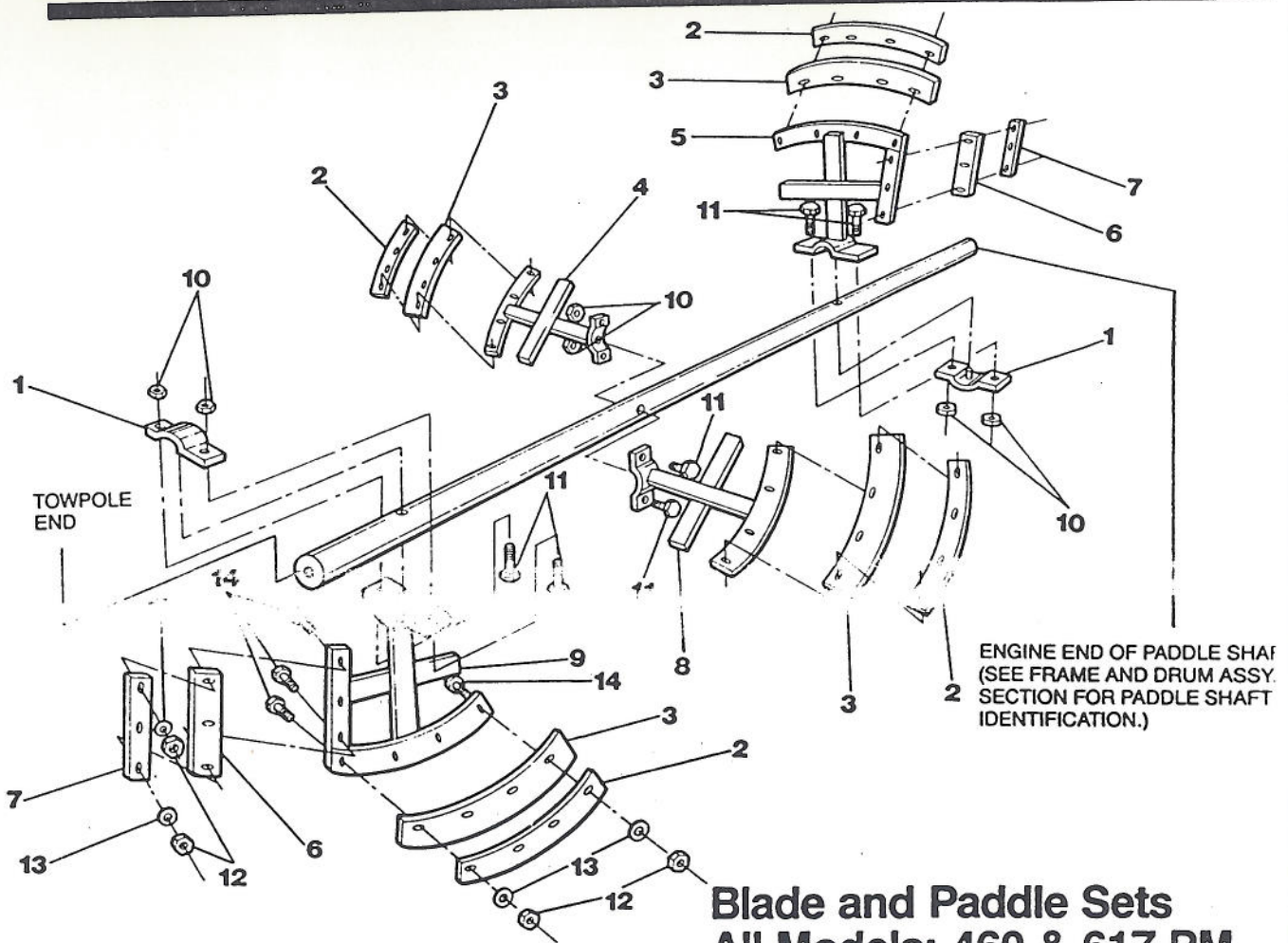
REVISION:

ITEM	PART NO.	DESCRIPTION	QTY 460	QTY 617
1	28123	Handle, Dump	1	1
2	35296	Grip, Dump Handle	1	1
3	47001	Cap, Grease Fitting	4	4
4	46042	Fitting, Grease	4	4
5	22422	Guard, Drum	1	1
6	26279	Seal, Red	2	2
7	24017	Spacer, Single	6	6
8	24022	Seal, Black	6	6
9	26230	Spacer, Double	2	2
10	32003	Bearing, Drum	2	2
11	24021	Trunnion	2	2
12	28643	Drum Shaft Spacer EE	1	1
13	26933	Bull Gear	1	1
14	26522	Trim Strip, Cowl	2	2
15	47011	Bumper, Cowl	2	2
16	22312	Cowl, Front	1	1
17	47182	Latch, Cowl	2	2
18	21478	Cowl, Rear	1	1
19	24227	Shaft, Paddle	1	1
20	22305	Drum	1	1
21	24027	Latch, Drum	-	1
22	22428	Frame	1	-
	22429	Frame	-	1
23	21655	Chain Kit, Safety	-	1
24	26096	Tole Pole, Standard	-	1
	27549	Tole Pole Pin Hitch 1 1/4" dia. hole	-	1
	22194	Tole Pole Ball Hitch 2" dia. hole	-	1
25	27131	Spacer, Drum Shaft	1	1
26	28629	Lifter, Guard	-	1
27	22111	Front Handle	1	-
28	47000	Grip, Black	2	-
29	28644	Drum Shaft Space TPE	1	1
30	80102	HHCS 3/8 - 16 x 1 ZN	3	3
31	80043	WSHR 3/8 Wrot	12	13
32	80176	HHCS 3/8 - 16 x 1-1/2	3	4
33	80056	NUTNY 3/8 - 16 ZN	6	6
34	80051	NUTNY 1/2 - 13	-	2
35	80009	Key 3/8 x 3/8 x 1-1/2	1	1
36	80031	HWHTB 1/2 - 13 x 1-1/2	2	2
37	26326	WSHR 9/16 x 1-3/4 x 1/4	2	2
38	44104	Pin Hinge 1/4 x 19 1/2	1	1
39	80197	HHCS 1/2 -13 x 4	-	1
40	80052	HHCS 1/2 - 13 x 6-1/2	-	1
41	80119	WSHRLT 3/8 INT/EXT	4	4
42	80042	NUTFX 3/8 - 16	4	4
43	80072	HHCS 3/8 - 16 x 1-3/4 ZN	4	-
44	26325	WSHR MTR Base	4	-
-	22152	Seal Kit Includes Items: 6 (1), 7 (3), 8 (3), 9 (1), 10 (1)		

NOTE: If your mixer has a WELDED ON bearing housing you must purchase this bearing kit version: ST22153 The ST23432 featured here is for the BOLT on version ONLY.

* Optional tow poles available (not shown)
** Loctite 680-60 Used 80391

Paddle Assembly—460 and 617



Blade and Paddle Sets All Models: 460 & 617 PM

For convenience, the following Blade and Paddle Sets are available:

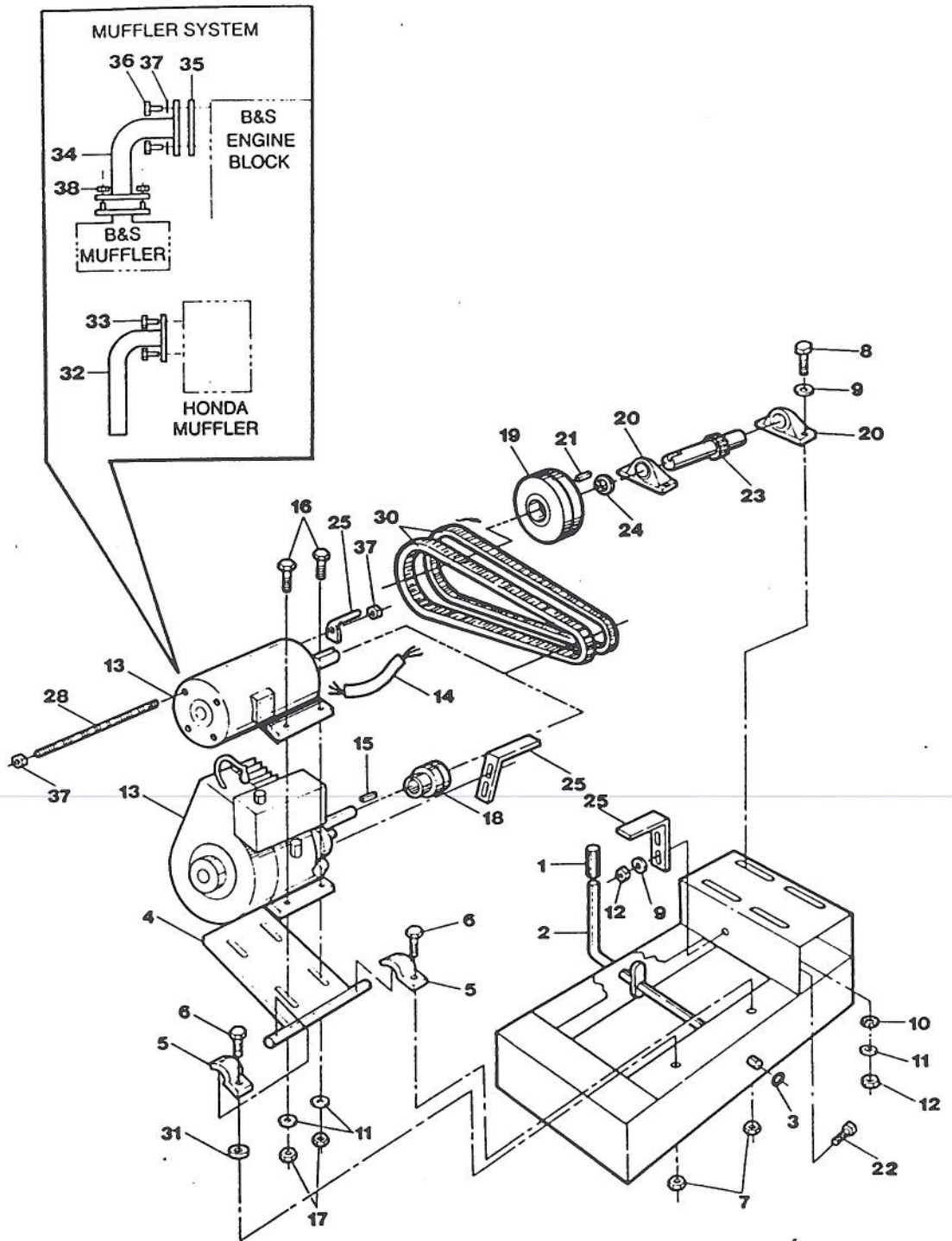
Parts List

ITEM	PART NO.	DESCRIPTION	QTY
1	24107	Clamp PDL Weld	2
2	28117	Bar Backer Long	4
3	28091	Blade Rubber Long	4
4	22309	Paddle CTR EE	1
5	22308	PDL EE	1
6	24033	BLD Rub Short	2
7	28116	Bar Backer Short	2
8	22310	PDL CTR TPE	1
9	22311	PDL TPE	1
10	80051	NUTNY 1/2 - 13	6
11	80075	HHCS 1/2 - 13 x 1-1/2 ZN	6
12	80042	NUTFX 3/4 - 16	12
13	80043	WSHR 3/8 WROT	12
14	80041	CRBLT 3/8 - 16 x 1-1/4	12

Description, Item No. (Qty.)	Part
Paddle Kit Complete - Includes Items 1 - 14	22
Paddle Kit, Tow Pole End - Includes Items:	22
1(1), 2(1), 3(1), 6(1), 7(1), 9(1), 12(4), 13(4), 14(4)	
Paddle Kit, Engine End - Includes Items:	22
1(1), 2(1), 3(1), 5(1), 6(1), 7(1), 12(4) 13(4), 14(4)	
Paddle Kit, Tow Pole End Center - Includes	22
Items: 2(1), 3(1), 8(1), 12(2), 13(2), 14(2)	
Paddle Kit, Engine End Center - Includes	22
Items: 2(1), 3(1), 4(1), 12(2), 13(2), 14(2)	
Paddle Set - Includes Items:	22
1(2), 4(1), 5(1), 8(1), 9(1)	
Backer Bar Set - Includes Items:	22
2(4), 7(2)	
Rubber Blade Set - Includes Items:	22
3(4), 6(2)	

REVISION:

Power Train—460 and 617



ITEM	PART NO.	DESCRIPTION	400	400	017	017	017
			E	B&S	E	B&S	H
1	34687	Flex Grip	1	1	1	1	1
2	22315	Assy Clch	1	1	1	1	1
3	80411	PSHNT 5/8	1	1	1	1	1
4	22430	Base Mtr	1	1	1	1	1
5	27575	BRKT Mtr Base	2	2	2	2	2
6	80104	HHCS 1/2-13x1-1/4 ZN	2	2	2	2	2
7	80051	NUTNY 1/2-13	2	2	2	2	2
8	80072	HHCS 3/8-16x1-3/4 ZN	4	4	4	4	4
9	80042	WSHR 3/8 Medt	4	4	5	4	4
10	80410	WSHRL 7/16 Int/Ext	4	4	4	4	4
11	26325	WSHR Mtr Base	8	8	8	8	8
12	80056	NUTNY 3/18-16	6	5	5	5	5
13	30159	ENG 5 HON	-	-	-	-	1
13	30072	ENG 5 B&S STD	-	1	-	1	-
13	30167	MTR 1.5 Elec	-	-	1	-	-
13	31202	MTR Elec 75x1725	1	-	-	-	-
14	48205	Cord PWR 14/3	1	-	-	-	-
15	80060	Key 3/16 x 3/16 x 1	1	1	1	1	1
16	80167	HHCS 5/16 - 18 x 1-3/4	-	4	-	4	4
16	80145	HHCS 3/8-16 x 1-1/4	4	-	4	-	-
17	80114	NUTNY 5/16 - 18	4	4	4	4	4
17	80056	NUTNY 3/8 - 16	4	4	4	4	4
18	35924	Sheave 2AK20 x 3/4 Dia	-	1	-	1	1
18	35931	Sheave AK25 x 5/8 Dia	1	-	-	-	-
18	35930	Sheave AK25 x 7/8 Dia	-	-	1	-	-
19	35475	Sheave AK71 x 1 Dia	1	-	1	-	-
19	34985	Sheave 2AK94 x 1 Dia	-	1	-	1	1
20	32208	Non-Relube Pillow Block	2	2	2	2	2
21	80100	Key 1/4 x 1/4 x 1	1	1	1	1	2
22	80102	HHCS 3/8-16 x 1 ZN	1	1	1	1	1
23	22334	Assy PNN 6 Tooth NUHA	1	1	1	1	1
24	24622	WSHR Pinnion & Piston RD	1	2	1	2	2
25	28431	Guide Belt	-	2	-	2	2
	28883	Guide Belt	1	-	1	-	-
	28882	Guide Belt	1	-	1	-	-
28	28826	Rod THD 1/4 - 20 x 12	1	1	1	1	1
30	35480	V-Belt A27	1	-	1	-	1
	34014	V-Belt A33	-	1	-	1	1
31	80119	WSHRLT 1/2 INT/EXT	1	1	1	1	1
32	28648	Deflector Ext 617	-	-	-	-	1
33	80230	HWHTB 10 x 1/2 Type A	-	-	-	-	1
34	28640	Exhaust Pipe B&S	-	1	-	1	-
35	40137	Gasket B&S	-	1	-	1	-
36	80152	HHCS 1/4-20 x 1/2	-	2	-	2	-
37	80116	WSHRL 1/4 Med Split	-	2	-	2	-
38	80236	NUTKP 1/4 - 20	-	2	-	2	-

REVISION:

PAGE

150 and 617

