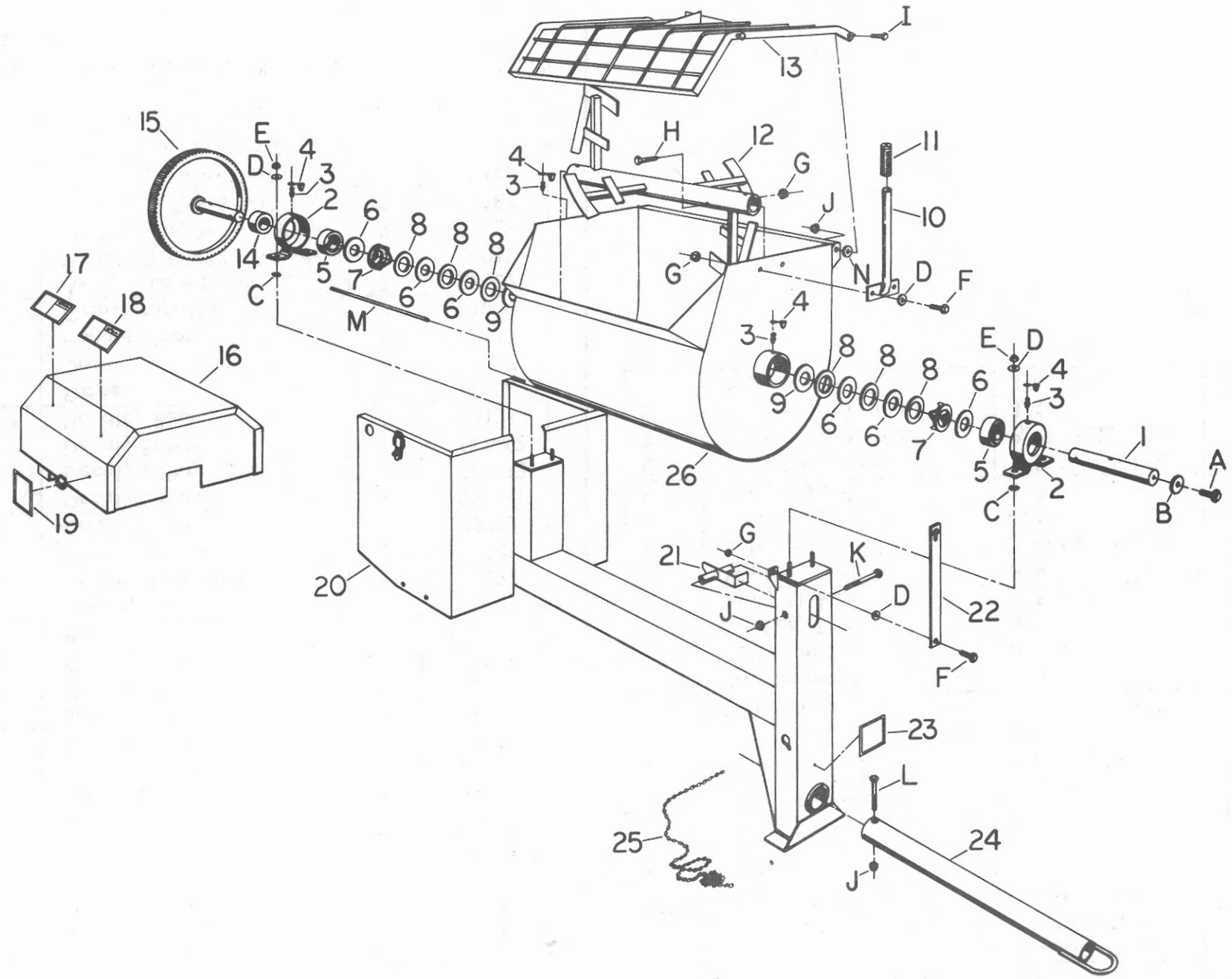


625PM FRAME AND DRUM ASSEMBLY



6

PARTS LIST

ITEM	DESCRIPTION	QTY	PART NO.
1	Shaft, Outer Stub	1	28164
2	Trunnion	2	24021
3	Fitting, Grease	4	46042
4	Cap, Grease Fitting	4	47001
5	Bearing, Drum	2	32003
6	Seal, Rubber (Black)	6	24022
7	Spacer, Double	2	26230
8	Spacer, Single	6	24017
9	Seal, Urethane (Red)	2	26279
10	Handle, Dump	1	24406
11	Grip, Dump Handle	1	47000
12	Paddle Shaft Assy.	1	Ref. *
13	Guard, Drum	1	24208
14	Spacer, Rear Shaft	1	28222
15	Shaft, Main-Assy.	1	21388
16	Cowl, Upper	1	22080
17	Decal, Safety	1	SN-91
18	Decal, Safety	1	SN-92
19	Decal, Safety	1	SN-67
20	Frame	1	22114
21	Latch, Drum	1	24027
22	Lifter, Guard	1	24126
23	Decal, Towing	1	SN-66
24	Tow Pole - Standard **	1	26096
25	Safety Chain Kit	1	21655
26	Drum	1	24202

* Reference - Turn to 450 & 625PM PADDLE ASSEMBLY section for details.

** Optional Tow Pole Types Available:
 P/N 27549 Pin Hitch Tow Pole
 P/N 21640 Ball Hitch Tow Pole

HARDWARE LIST

ITEM	DESCRIPTION	PART NO. OR SIZE	QTY
A	Bolt, Self Tapping	1/2-13 x 1 1/2	1
B	Washer, Drum	P/N 26326	1
C	Washer, Star	3/8	4
D	Washer, Flat, Plain	3/8	7
E	Nut, Flex-Loc	3/8-16	4
F	Bolt, Hex Head	3/8-16 x 1 1/4	2
G	Nut, Nylock	3/8-16	7
H	Bolt, Hex Head	3/8-16 x 2 1/2	4
I	Bolt, Hex Head	1/2-13 x 1 1/2	2
J	Nut, Nylock	1/2-13	4
K	Bolt, Hex Head	1/2-13 x 6 1/2	1
L	Bolt, Hex Head, Grade 8	1/2-13 x 4	1
M	Rod, Brass Hinge	1/4 x 13 1/2	1
N	Washer, Flat, Plain	1/2	2