



OPERATOR/SERVICE MANUAL

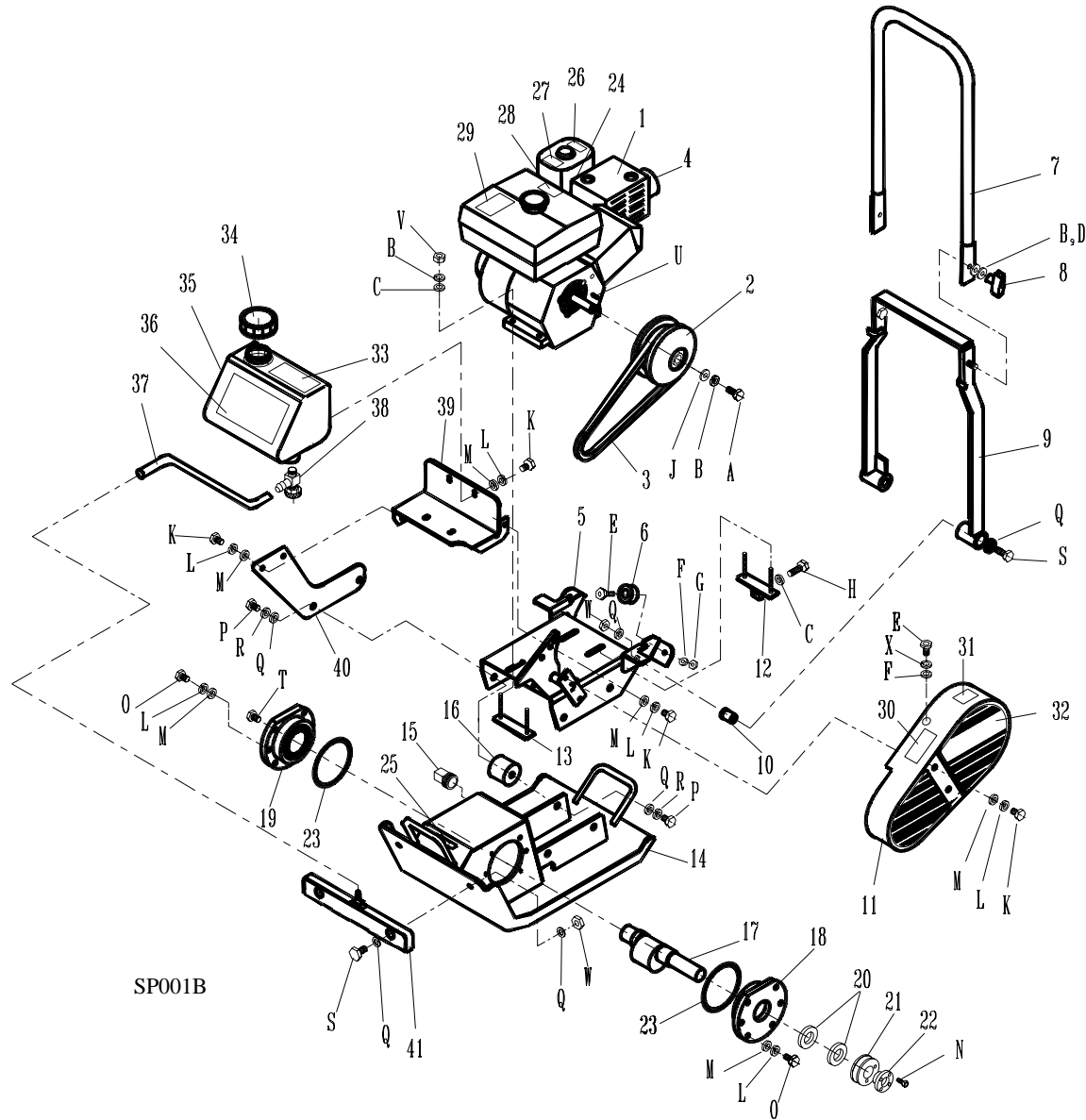
**MODELS: S-20, S-20A, S-28, S-28A,
S-38, S-38D, S-38A, S-38DA,
S-52, S-52D, S-52T, S-66**



STONE VIBRATORY PLATE

A 100% employee-owned American manufacturer

5.3 S-Plate Engine/Plate Parts List (S-20 and S-20A)

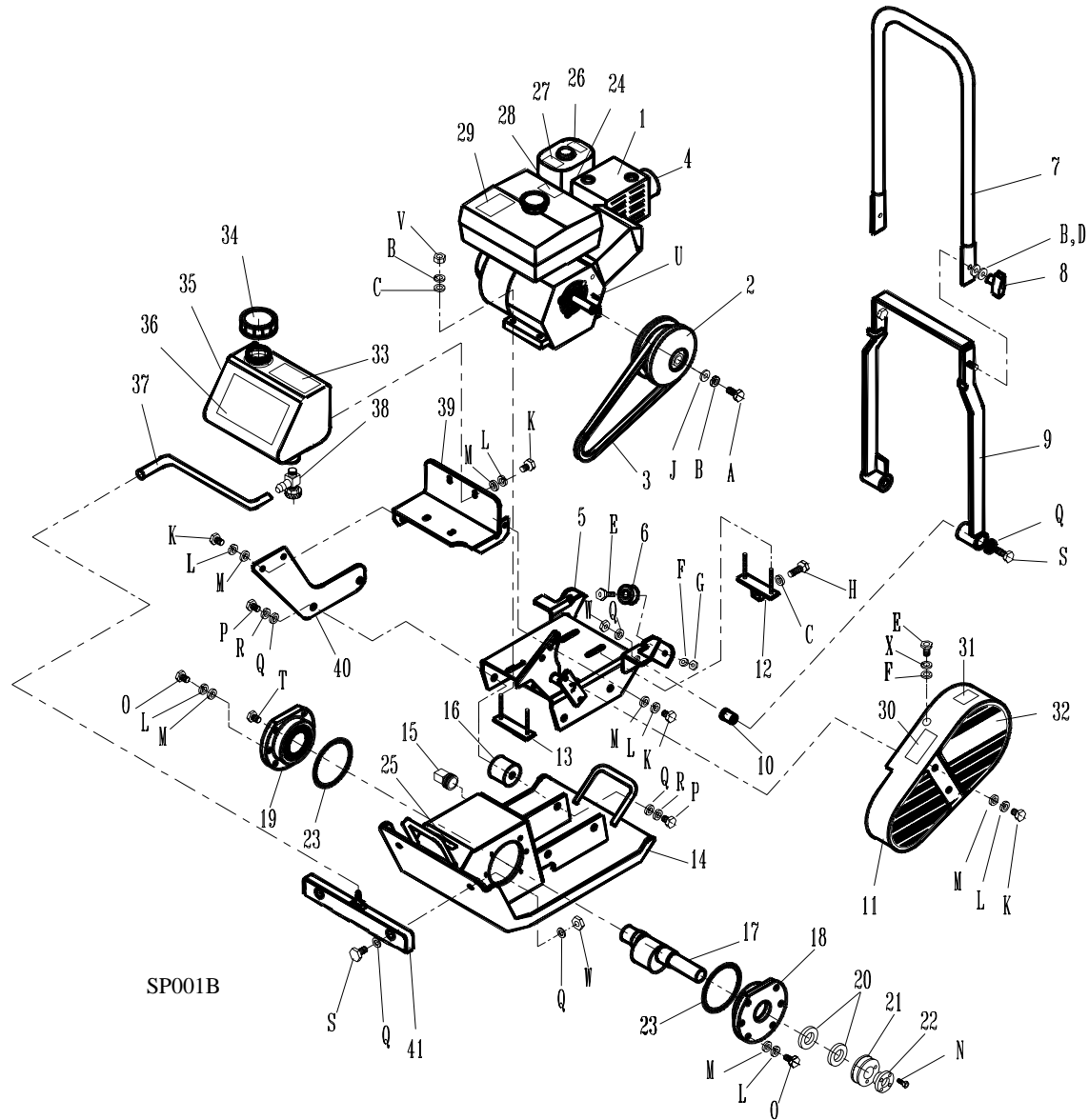


5.3 S-Plate Engine/Plate Parts List (S-20 and S-20A)

Item	Part No.	Description	Qty.	Item	Part No.	Description	Qty.
1	31235	4.0 HP Honda	1	26	55017	Decal 3400 RPM	1
	30598	4.5 HP Robin	1	27	55156	Decal Notice	1
2	32288	Clutch	1	28	55015	Decal Idle Engine	1
3	39307	V-Belt Kevlar Cord	1	29	55214	Decal Sta-bil	1
4	30166	Exhaust Deflector	1	30	55331	Decal Warning	1
5	43971	Engine Deck	1	31	55149	Decal Ear Protection	1
6	37009	Rubber Bumper	2	32	55330	Decal Belt Guard	1
7	43961-2	Handle Upper	1	33	55035	Decal Water Tank (S-20A Only)	1
8	47379	Knob	2	34	38195	Cap (S-20A Only)	1
9	43972-2	Handle Lower	1	35	47391	Water Tank (S-20A Only)	1
10	32040	Urethane Bushing	2	36	55141	Decal Front (S-20A Only)	1
11	43941	Belt Guard	1	37	47250	Hose Urethane 1/41D (S-20A Only)	1
12	42702	Engine Bracket Adj. Assy	1	38	46009	Valve & Strainer (S-20A Only)	1
13	21550	Engine Bracket Adj.	1	39	43973-2	Water Tank Bracket (S-20A Only)	1
14	43959-2	Base Plate Machined	1	40	43958-2	Water Tnk Brkt Bolt On (S-20A Only)	1
15	46113	Plug Pipe	1	41	47393	Water Sprinkler (S-20A Only)	1
16	65080	Shock Mount	4		23050	Water Tank Kit	
17	43950	Eccentric Shaft Machined	1				
18	22060	Cap & Bearing Sheave End	1				
19	22061	Cap & Bearing Blind End	1				
20*	32047	Oil Seal	2				
21	34713	Sheave BK32M	1				
22	35328	Bushing Taper Lock	1				
23**	32033	O-Ring	2				
24	43978	Throttle Clip	1				
25	55329	Decal Service	1				

REMARK: * Included in Item 18
 ** Included in Item 18 and 19

5.3 S-Plate Engine/Plate Parts List (S-20 and S-20A) Cont'd.



5.3 S-Plate Engine/Plate Parts List (S-20 and S-20A) Cont'd.

Item	Part No.	Description	Qty.	Torque		Item	Part No.	Description	Qty.	Torque	
				FT.LBS.	(Nm)					FT.LBS.	(Nm)
A	80095	HHCS 5/16-24 X 3/4 GR5	1	26	19	U	80611	KEY 3/16 X 3/16 X 2	1		
B	80086	WSHR 5/16 MED SPLIT	9			V	80114	NUTNY 5/16 - 18	4		
C	80348	WSHR 5/16 WROT	7			W	80830	NUTNY M12-1.75 (S-20)	2		
D	80347	WSHR 1/4 PL ZN	5				80830	NUTNY M12-1.75 (S-20A)	4		
E	80836	HHCS M6-1 X 16 8.8	3	8.6	6.5	X	80860	WSHRL M6 SPLIT	1		
F	80856	WSHR M6 FLAT	3								
G	80851	NUTNY M6-1	2								
H	80743	HHTB 5/16-18 X 4-1/2 GR5	1	23	17						
J	39233	WSHR .343 ID X 1.00 OD	1								
K	80406	HHCS M8-1.25 X 20 8.8 (S-20)	2	21	16						
	80406	HHCS M8-1.25 X 20 8.8 (S-20A)	10	21	16						
L	80812	WSHRL M8 SPLIT (S-20)	14								
	80812	WSHRL M8 SPLIT (S-20A)	20								
M	80857	WSHR M8 FLAT(S-20)	14								
	80857	WSHR M8 FLAT (S-20A)	22								
N	80354	HHCS 1/4-20 X 1 GR5	2	11	8						
O	80087	HHCS M8-1.25 X 25 8.8	12	21	15.5						
P	80808	HHCS M12-1.75 X 20 8.8 (S-20)	8	72	53						
Q	80807	WSHR M12 FLAT (S-20)	12								
	80807	WSHR M12 FLAT (S-20A)	16								
R	80805	WSHRL M12 SPLIT	8								
S	80844	HHCS M12-1.75 X 50 8.8 (S-20)	2	72	53						
	80844	HHCS M12-1.75 X 50 8.8 (S-20A)	4	72	53						
T	80185	HHCS 3/8-24 X 1/8 GR8	1	47	35						

REMARK:

5.6 Decal Identification

1

SERVICE INSTRUCTIONS

DAILY • WITH ENGINE LEVEL, CHECK OIL. ADD OIL AS NECESSARY. OVER 40°F USE SAE 30, UNDER 40°F USE SAE 5W-20 OIL. • CHECK ECCENTRIC OIL. USE SAE 30. SEE INSTRUCTIONS BELOW • CLEAN AIR FILTER. CLEAN FILTER PROLONGS ENGINE LIFE AND DECREASES GASOLINE CONSUMPTION. SEE INSTRUCTIONS ON FILTER CAP. • TIGHTEN ALL FASTENERS.

WEEKLY • CHANGE ENGINE OIL • CHECK BELT TENSION AND ADJUST AS NECESSARY.

MONTHLY • CHANGE ECCENTRIC OIL. USE SAE 30.

WARNING: ALWAYS STOP ENGINE WHEN FILLING WITH GASOLINE OR WORKING ON MACHINE. KEEP GUARD IN PLACE.

PATENTED: US#4,113,403 CAN#1286121 AND OTHERS PENDING.

ECCENTRIC OIL LEVEL

(MEASURE WITH 2 TO 2-1/4 IN. SHOWING ON A DIPSTICK SUCH AS A PENCIL.)

55040 DO NOT OVERFILL

3

ENGINE: Must run at full speed (3400 RPM) or on idle to ensure proper clutch life.

55017

4

CAUTION

USE SAFETY STRAPS TO BASE WHEN LIFTING MORE THAN TWO FEET HIGH

55021

6

EAR PROTECTION REQUIRED



55149

5

ECCENTRIC OIL LEVEL

MAINTAIN OIL LEVEL FLUSH WITH PLUG HOLE. DO NOT OVERFILL.

55329

7

WARNING



KEEP GUARDS IN PLACE

55331

2

IDLE ENGINE 5 MINUTES BEFORE STOPPING TO IMPROVE SERVICE LIFE

P/N 55417

8

NOTICE

CONTACT THE MANUFACTURER IMMEDIATELY AT 1-800-888-9926 IF SAFETY OR HAZARD DECALS OR OWNER'S MANUAL ARE MISSING FROM THIS EQUIPMENT. P/N 55156

9

This engine has been tested with fuel treated with

STAB-IL®

to prevent gum and varnish residue in tank.

P/N 55214

5.6 Decal Identification

Item	Part No.	Description	Qty.	Item	Part No.	Description	Qty.	Torque FT.LBS. (Nm)
1	55040	Decal Service Inst. White						
2	55417	Decal Idle Engine White						
3	55017	Decal 3400 RPM Black						
4	55021	Decal Caution Safety Blk						
5	55329	Decal Service Inst.						
6	55149	Decal Ear Protection						
7	55331	Decal Warning Belt Guard						
8	55156	Decal Notice						
9	55214	Decal Sta-Bil						

REMARK: