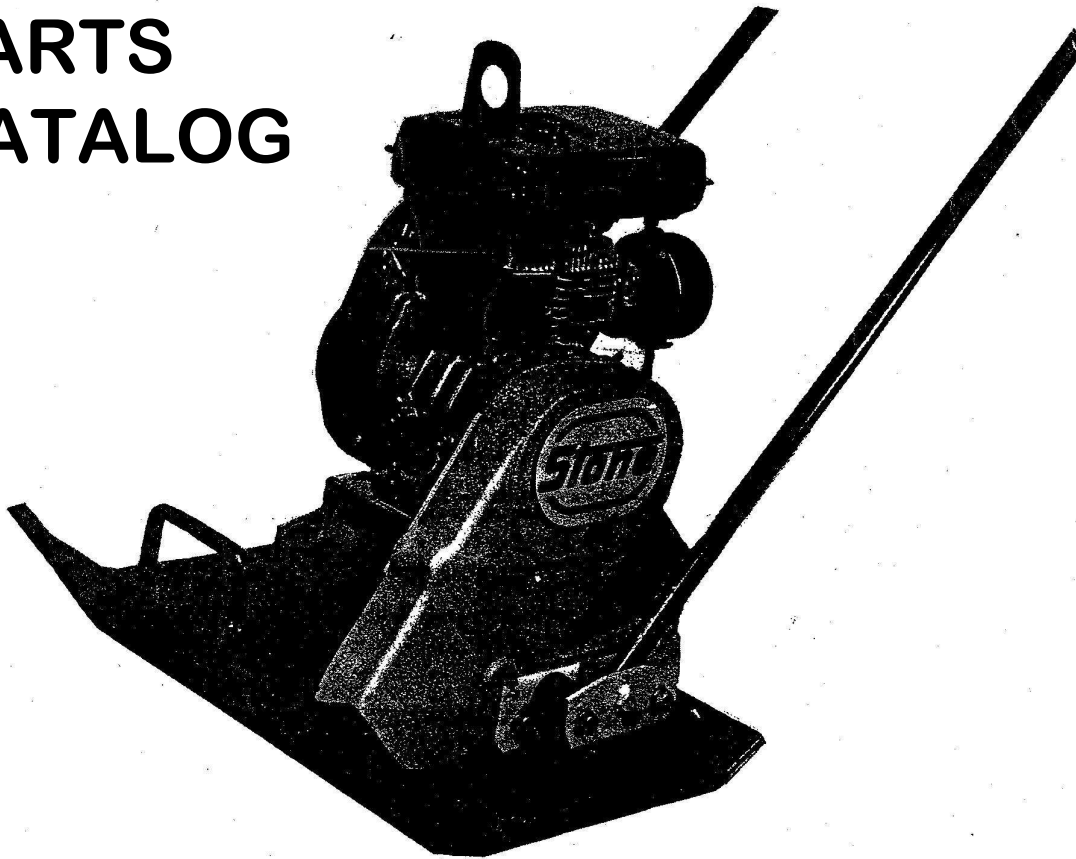


Form No. 3374-725

Stone

VIBRATORY PLATE COMPACTORS

**PARTS
CATALOG**



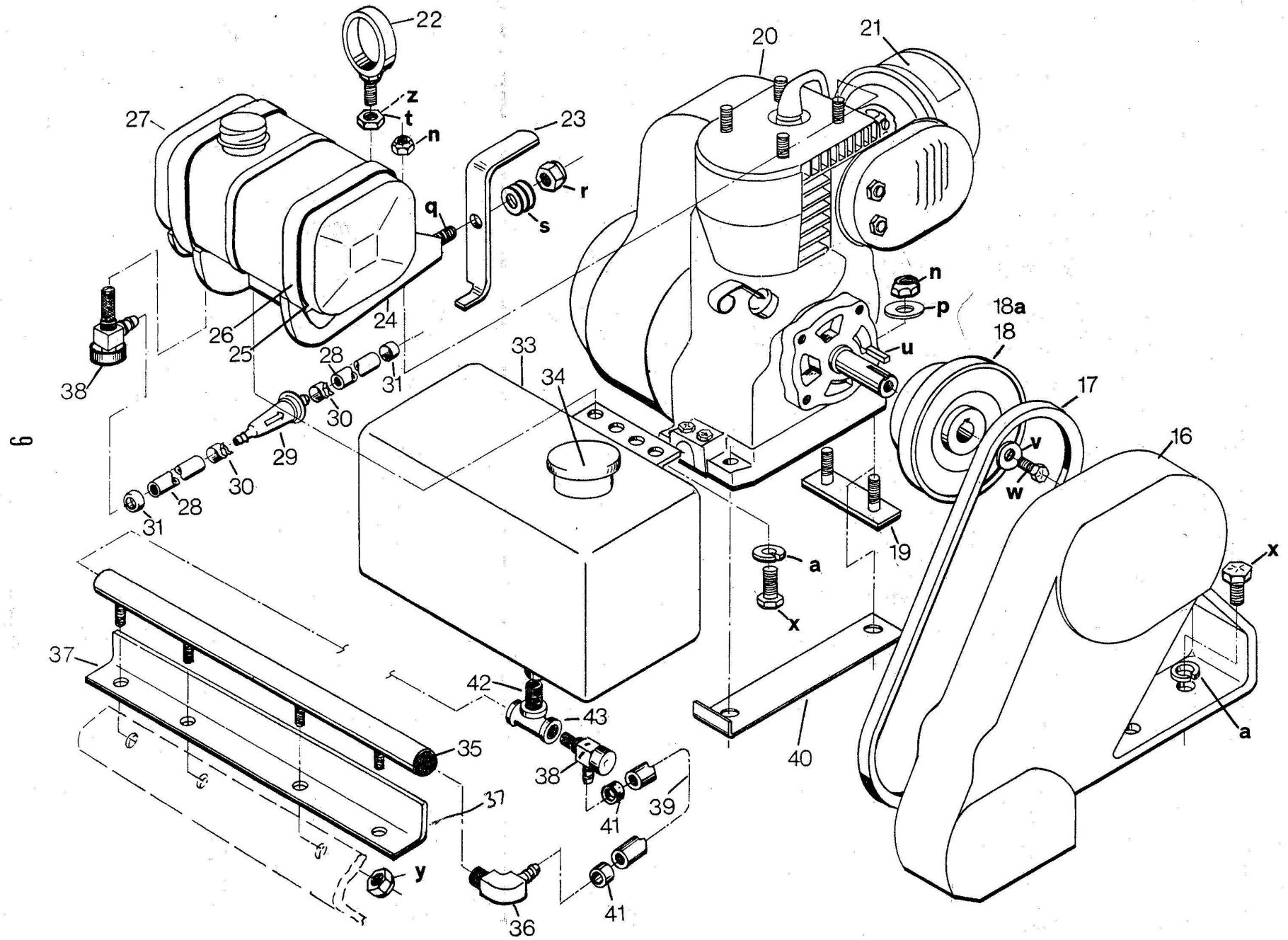
MODEL: S 25, S 25A, S 35, S 35A, S 50
"THE SERVICEABLE PLATE LINE"

PATENT 4,113,403

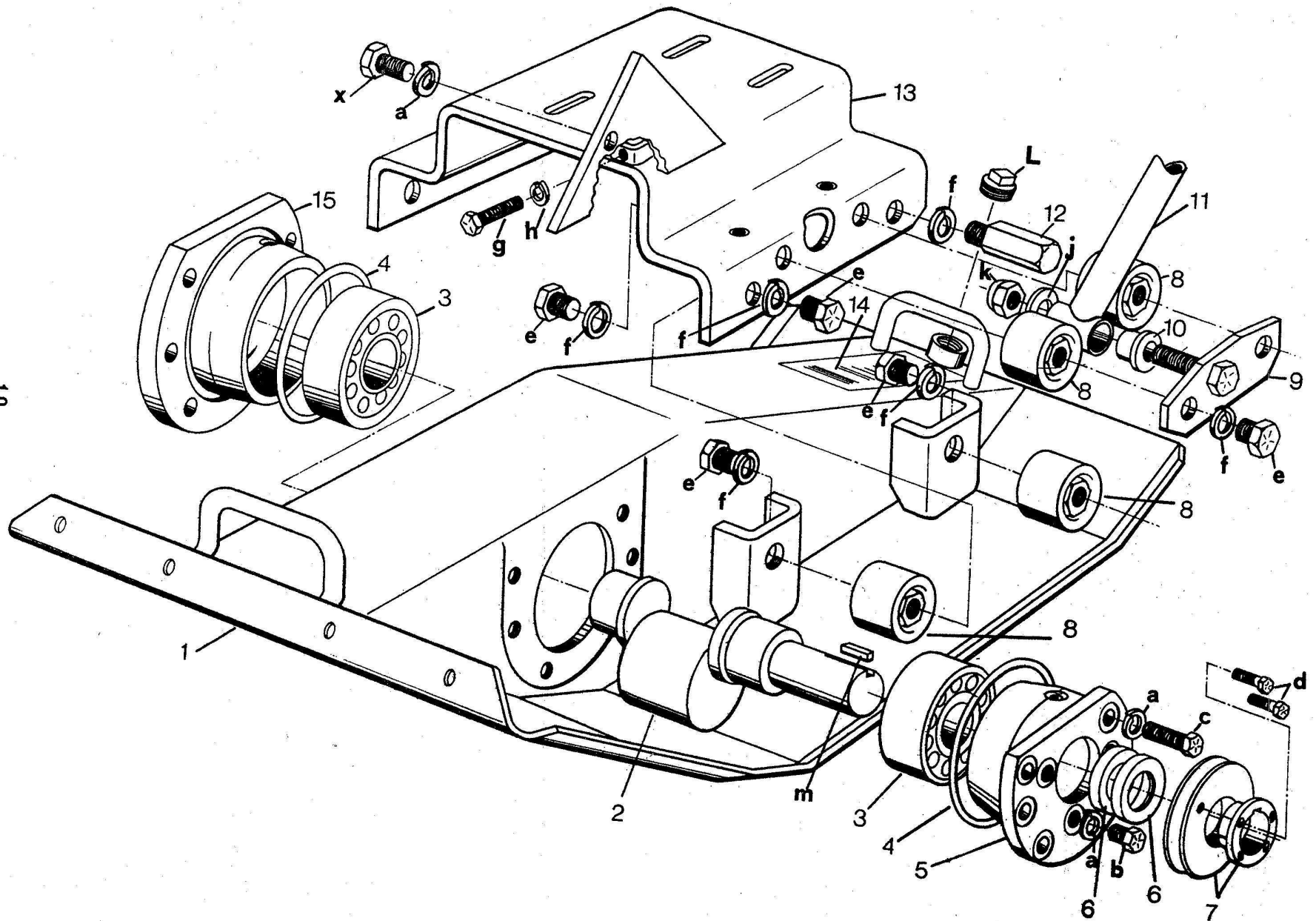
STONE CONSTRUCTION EQUIPMENT, INC.

8662
32 East Main St., Honeoye, N.Y. 14471

S&S-
Phone: (716) 229-5141 TWX 510-262-0997



10



Item	Part No.	Part Name	Quantity				
			S-25	S-25A	S-35	S-35A	S-50
1	21533	Base Assembly	1	1			
	21534	Base Assembly			1	1	
	21535	Base Assembly					1
2	21542	Eccentric	1	1			
	21543	Eccentric			1	1	
	21544	Eccentric					1
3	32107	Bearing	2	2			
	32108	Bearing			2	2	
	32109	Bearing					2
4	32033	C Ring	2	2	2	2	
	32111	C Ring					2
5	27192	Bearing Cap, S.E.	1	1			
	27194	Bearing Cap, S.E.			1	1	
	27196	Bearing Cap, S.E.					1
6	32047	Shaft Seal	2	2	2	2	2
7	34713	AK32 Sheave	1	1			
	34714	AK36 Sheave			1	1	1
8	47014	Shock Mount	8	8	8	8	8
9	21555	Handle Bracket	2	2	2	2	2
10	32040	Bushing	2	2	2	2	2
11	21549	Handle	1	1	1	1	1
12	27265	E-Z Wheel Stud	2	2	2	2	2
13	21540	Motor Base	1	1	1	1	1
14	-	Service Decal	1	1	1	1	1
15	27193	Bearing Cap, B.E.	1	1			
	27195	Bearing Cap, B.E.			1	1	
	27197	Bearing Cap, B.E.					1
16	27210	Belt Guard	1	1	1	1	1
17	34711	Belt	1	1	1	1	1
18	30101 32347	Clutch, Complete	1	1	1	1	1
18A	30122	Clutch Drum & Sheave	1	1	1	1	1
19	21550	Engine Bracket	2	1	2	1	2
20	30097	Engine, 4 hp. B&S	1	1			
	30096	Engine, 5 hp. B&S			1	1	1
	30034	Engine, 4 hp. Kohler	1	1	1	1	1
	30054	Engine, 4.5 hp. Robin			1		1
21	-	Filter Decal, B&S/Kohler	1	1	1	1	1
	-	Filter Decal, Robin			1		1
22	24543	Lift Eye, B&S	1	1	1	1	1
	21570	Lift Eye, Kohler	1	1	1	1	1
	21654	Lift Eye, Robin			1		1
23	27278	Throttle Lever, Kohler	1	1	1	1	1
24	27254	Gas Tank Bracket, Kohler	1	1	1	1	1
25	47015	Rubber, Kohler	2	2	2	2	2
26	34088	Strap, Kohler	2	2	2	2	2
27	34519	Gas Tank, Kohler	1	1	1	1	1
28	27283	Hose, Kohler	2	2	2	2	2
29	34766	In-line Filter, Kohler	1	1	1	1	1

28314
35328

Item	Part No.	Part Name	Quantity				
			S-25	S-25A	S-35	S-35A	S-50
30	34492	Hose Clamp, Kohler	2	2	2	2	2
31	46001	Ferrule, Kohler	2	2	2	2	2
32	46009	Valve & Strainer, Kohler		1		1	1
33	21567	Water Tank, B&S		1		1	
	21562	Water Tank, Kohler		1		1	
	21573	Water Tank, Robin		1		1	
34	46059	Cap		1		1	
35	21563	Sprinkler Tube		1		1	
36	46067	1/4 x 1/4 Pipe to Hose Ell		1		1	
37	27263	Sprinkler Guard		1		1	
38	46009	Valve & Strainer		2		2	
39	27284	Hose		2		2	
40	27285	Push Plate, Kohler	2	2	2	2	2
41	46001	Ferrule		4		4	
42	46002	1/8 Close Nipple		1		1	
43	46068	1/8 Tee		1		1	
Not Shown		Lifting Caution Decal	1	1	1	1	1
		Patented Decal	1	1	1	1	1
		Nameplate	1	1	1	1	1

HARDWARE

Item	Size	Description	Models Used On
a	3/8	Lockwasher	All
b	3/8-24-1/2	Hex Hd Bolt, GR8	All
c	3/8-24-1 1/2	Hex Hd Bolt, GR8	S-35, S-35A
	3/8-24-1 3/4	Hex Hd Bolt, GR8	S-50
	3/8-24-2	Hex Hd Bolt, GR8	S-25, S-25A
d	1/4-20-3/4	Hex Hd Bolt	All
e	1/2-13-3/4	Hex Hd Bolt	All
f	1/2	Lockwasher	All
g	5/16-18-1 1/2	Hex Hd Tap Bolt	All 80163
h	5/16-18	Hex Jamb Nut	All
i	1/2	SAE Washer	All
k	1/2-13	Nyloc Nut	All
l	3/4	Pipe Plug	All
m	1/4 x 1/4 x 1	Square Key	All
n	5/16-18	Flexloc	All & Kohler
p	5/16	Washer	Robin
q	3/8-16-1	Socket Set Screw	S-25A Kohler, S-35A Kohler
r	3/8-16	Flexloc Nut	Kohler
s	3/8	Belleville Washer	Kohler
t	3/8-16	Jam Nut	Kohler
u	3/16 x 3/16 x 1	Key	All
v	5/16	Washer	B & S
	3/8	Washer	Kohler, Robin
w	5/16-24-3/4	Hex Hd Bolt	B & S
	3/8-24-3/4	Hex Hd Bolt	Kohler, Robin
x	3/8-16-1	Hex Hd Bolt	All
y	3/8-16	Nyloc Nut	S-25A, S-35A
z	M8-16	Hex Hd Cap Screw	Robin - Lift Eye
aa	3/8-16-1 1/2	Socket Set Screw	Kohler