



OPERATOR/SERVICE MANUAL

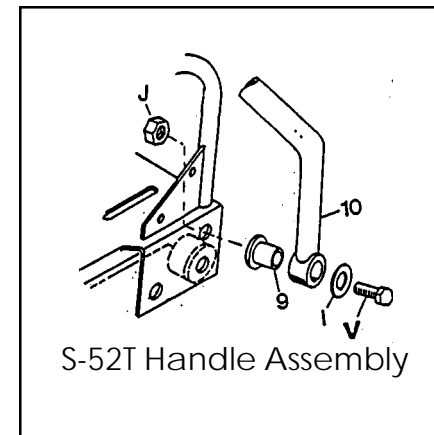
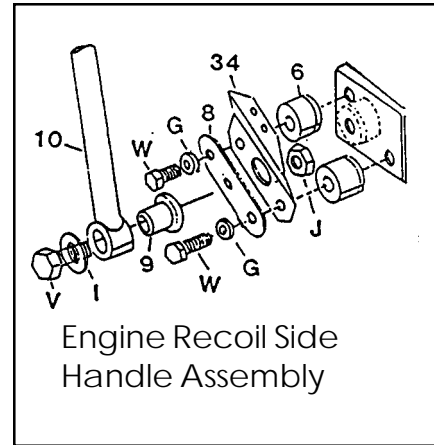
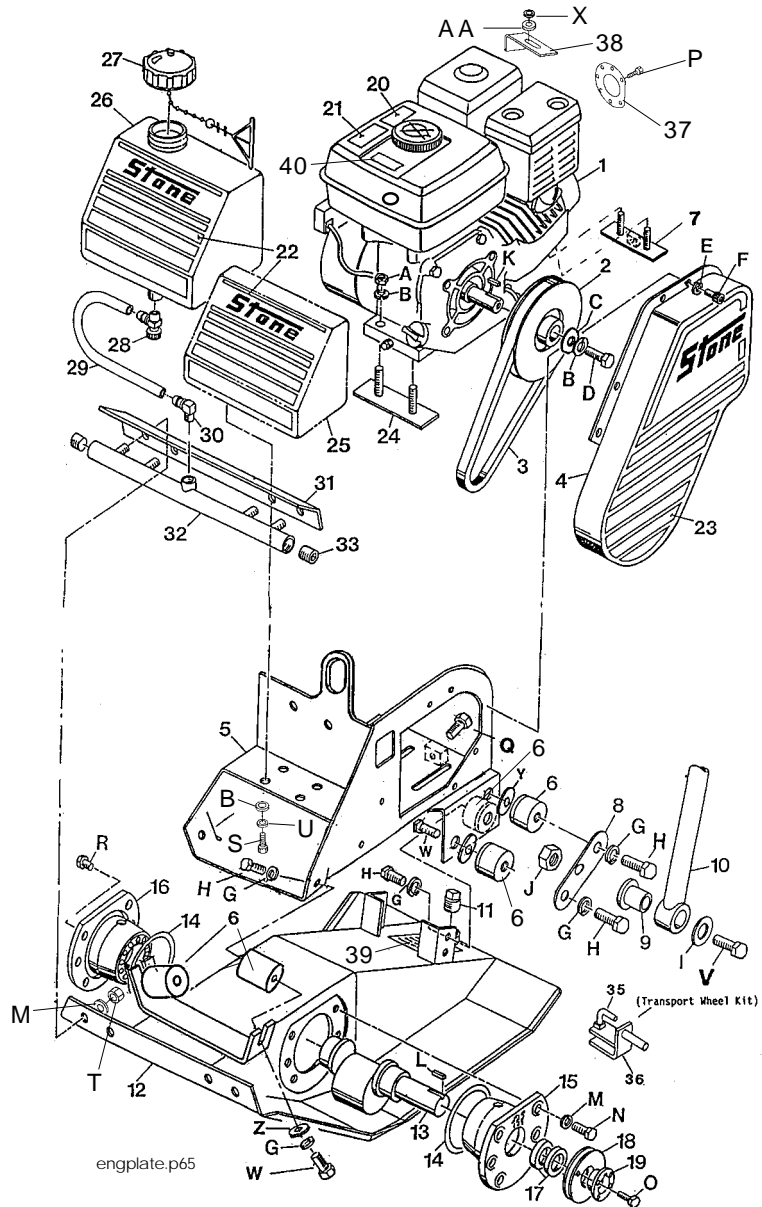
**MODELS: S-20, S-20A, S-28, S-28A,
S-38, S-38D, S-38A, S-38DA,
S-52, S-52D, S-52T, S-66**



STONE VIBRATORY PLATE

A 100% employee-owned American manufacturer

5.4 S-Plate Engine/Plate Parts List (S-28, S-38, S-52)

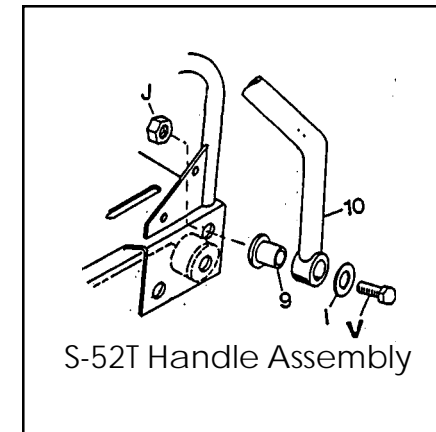
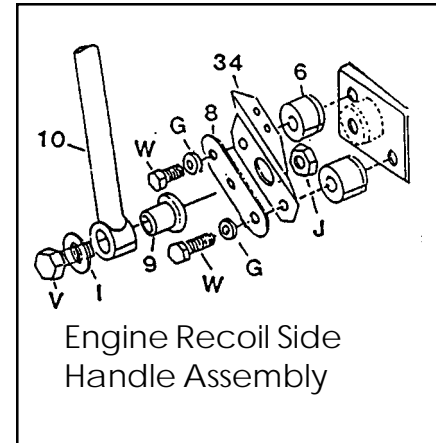
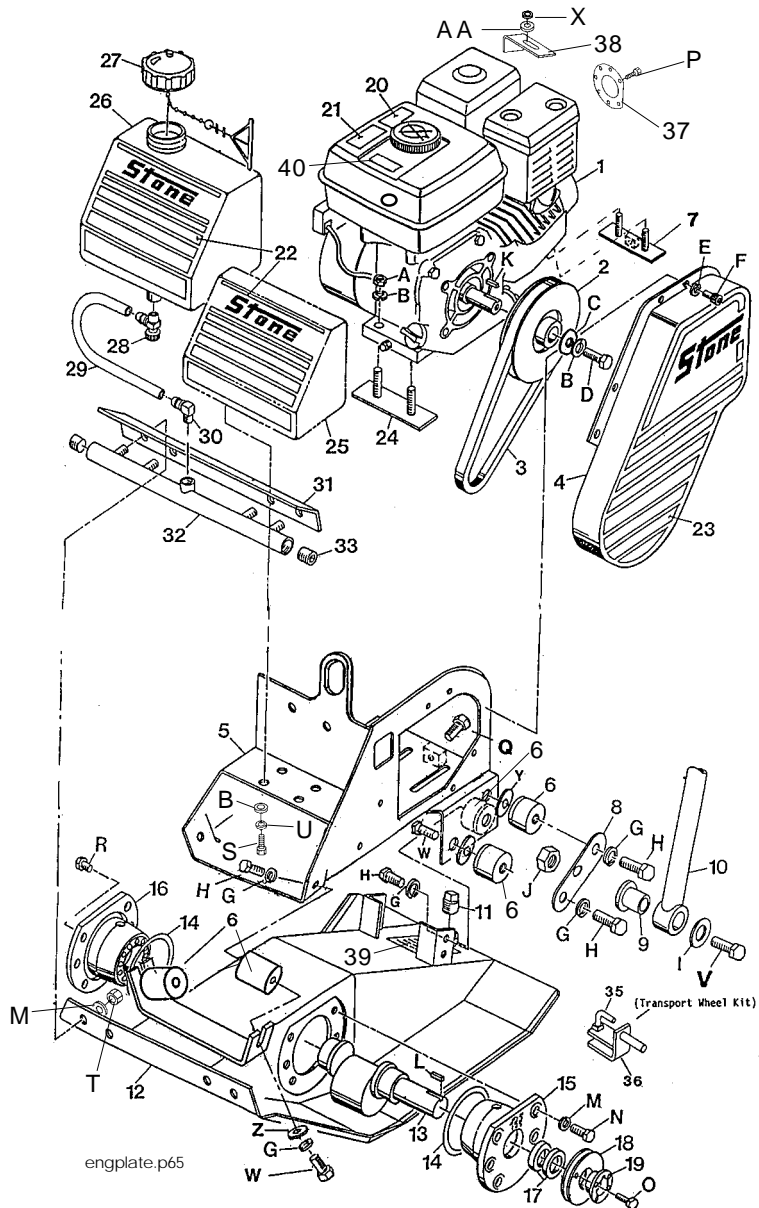


5.4 S-Plate Engine/Plate Parts List (S-28, S-38, S-52)

Item	Part No.	Description	Qty.	Item	Part No.	Description	Qty.
1	30159	Engine 5.5 HP Honda w/Oil Alert	1		21543	Eccentric (S-38's)	1
	30599	Engine 6 HP Robin	1		21544	Eccentric (S-52)	1
	30587	Engine 5.5 HP B & S Intek Pro	1		42726	Eccentric (S-52T)	1
	30294#	4.2 HP Yanmar (S-38's,S-52)	1	14**	32033	O Ring (S-28's,S-38's)	2
	31236	Muffler Yanmar (S-38's,S-52,S-52D)	1		32111	O Ring (S-52's)	2
	31237	Deflector Yanmar (S-38's,S-52,S-52D)	1	15	22060	Cap & Brg Sheave End (S-28's)	1
2	32288	Clutch	1		22062	Cap & Brg Sheave End (S-38's)	1
3	34711	V-Belt Kevlar Cord	1		22064	Cap & Brg Sheave End (S-52's)	1
	47367	V-Belt (Yanmar)	1	16	22061	Cap & Brg Blind End (S-28's)	1
4	29192	Belt Guard	1		22063	Cap & Brg Blind End (S-38's)	1
5	29720-2	Deck Weld (Gas)	1		22065	Cap & Brg Blind End (S-52's)	1
	42361-2#	Deck Weld (S-38's,S-52) (Diesel)	1	17*	32047	Oil Seal	2
6	47014	Shock Mount	8	18	28314	Offset Sheave (S-38's,S-52's)	1
	47014	Shock Mount (S-52T)	4		34713	Sheave BK32H (S-28's)	1
7	42702	Engine Brkt Adj Assy	1	19	35328	Bushing Taper Lock	1
8	27189-2	Bracket Handle (except S-52T)	2	20	55017	Decal 3400 RPM	1
9	32040	Urethane Bushing	2	21	55015	Decal Idle Engine	1
10	21549-2	Handle	1	22	55141	Decal Front	1
	29382-2	Handle (S-52T)	1	23	55142	Decal Belt GD	1
11	46774	Plug 3/4 Npt Magnetic Sq. Hd.	1	24	21550-2	Bracket Engine	1
12	29726-2	Base Machine (S-28's)	1	25	29107	Plate Trim (S-28, S-38,S-38D,S-52,S-52D)	1
	29725-2	Base Machine (S-38's)	1	26	47214	Water Tank (S-28A,S-38A,S-38DA)	1
	29724-2	Base Machine (S-52's)	1	27	38195	Cap (S-28A,S-38A,S-38DA)	1
13	21542	Eccentric (S-28's)	1	28	46009	Valve & Strainer (S-28A,S-38A,S-38DA)	1

REMARK: # Diesel Option (S-38D(A)and S-52D) - All parts are the same as S-38(A)and S-52 except for Items 1 and 5.
 * Included in Item 15
 ** Included in Items 15 & 16

5.4 S-Plate Engine/Plate Parts List (S-28, S-38, S-52) Cont'd.



5.4 S-Plate Engine/Plate Parts List (S-28, S-38, S-52) Cont'd.

Item	Part No.	Description	Qty.	Item	Part No.	Description	Qty.	Torque	
								FT.LBS.	(Nm)
29	47250	Hose Ureth 1/4 ID (S28A,S38A,S38DA)	1	A	80114	NUTNY	4		
30	34486	Elbow 90 Degree (S28A,S38A,S38DA)	1	B	80086	WSHR 5/16 Med Split (S28A,S38A)	11		
31	27263-2	Sprinkler GD (S28A,S38A,S38DA)	1		80086	WSHR 5/16 Med Split (S28,S38,S52's)	9		
32	22443-2	Sprinkler Tube (S28A,S38A,S38DA)	1	C	39233	WSHR .343 ID x1.0 OD	1		
33	43281	Orifice Plug 1/4 NPT (S28A,S38A,S38DA)	2	D	80095	HHCS 5/16-24 X 3/4	1	16	12
	* 22580	Water Tank Kit (S28A,S38A,S38DA)	1	E	80116	WSHRL 1/4 Med Split	6		
34	29454-2	Brkt Handle Retainer (except S52)	1	F	80759	SHCS 1/4-20 X 5/8 BLK	6	8	6
35	37820	Fluted Knob	2	G	80117	WSHRL 1/2 Med Split (Except S52T)	16		
36	22907	Transport Wheel Kit	1		80117	WSHRL 1/2 Med Split (S52T)	8		
	34213	Wheel 10 x 2.75 (not shown)	2	H	80113	HHCS 1/2-13 X 3/4 (Except S52T)	10	55	40
37	30166	Deflector Exhaust (Honda)	1		80113	HHCS 1/2-13 X 3/4 (S52T)	6	55	40
38	42790	Clip Throttle (Honda)	1	I	80343	WSHR Flat 1/2	2		
39	55040	Decal Service	1	J	80051	NUTNY 1/2-13	2		
40	55214	Decal Sta-Bil	1	K	80611	Key 3/16 X 3/16 X 2	1		
				L	80061	Key 1/4 X 1/4 X 1-1/2 (S38's, S52's)	1		
				M	80058	WSHRL 3/8 Med Split	12		
					80058	WSHRL 3/8 Med Split (S28A, S38A)	16		
				N	80387	HHCS 3/8-24 X 1-1/4	12	50	37
				O*	80354	HHCS 1/4-20 X 1 (S38, S38A, S52, S52T)	2	8	6
				P	80766	HWH Crimptite #8 x 3/8 (Honda)	2		
				Q	80743	HHTB 5/16-18 X 4-1/2 GR2	1	11	8
				R	80185	HHCS 3/8-24 X 1/2	1	50	37
				S	80159	HHCS 5/16-18 X 3/4 (S28A,S38A)	6	11	8
					80159	HHCS 5/16-18 X 3/4 (S28,S38,S52's)	4	11	8
				T*	80042	NUTFX 3/8-16 (S28A,S38A)	4		
				U	80348	WSHR 5/16 Wrot ZN	4		
						(Except S28A, S38A)			
					80348	WSHR 5/16 Wrot ZN (S28A, S38A)	6		
				V	80194	HHSC 1/2-13 X 2-1/2	2	75	55
				W	80378	HHCS 1/2-13 X 1 Plain (Except S52T)	6	55	40
					80378	HHCS 1/2-13 X 1 Plain (S52T)	2	55	40
				X	80346	WSHR #10	1		
				Y	26326	WSHR 9/16 X 1-3/4 X 1/4 (Except S52T)	2		
				Z	80118	WSHR 1/2 Wrot ZN	2		
				AA	80065	WSHRL #10	1		

REMARK: T* Loctite required
O* For S28, S28A is part of P/N 35328.
33* Kit 22580 includes P/Ns: 47214, 38195, 46009, 47250, 34486, 27263-2, 22443-2, and 43281.

5.6 Decal Identification

1

SERVICE INSTRUCTIONS

DAILY • WITH ENGINE LEVEL, CHECK OIL. ADD OIL AS NECESSARY. OVER 40°F USE SAE 30, UNDER 40°F USE SAE 5W-20 OIL. • CHECK ECCENTRIC OIL. USE SAE 30. SEE INSTRUCTIONS BELOW • CLEAN AIR FILTER. CLEAN FILTER PROLONGS ENGINE LIFE AND DECREASES GASOLINE CONSUMPTION. SEE INSTRUCTIONS ON FILTER CAP. • TIGHTEN ALL FASTENERS.

WEEKLY • CHANGE ENGINE OIL • CHECK BELT TENSION AND ADJUST AS NECESSARY.

MONTHLY • CHANGE ECCENTRIC OIL. USE SAE 30.

WARNING: ALWAYS STOP ENGINE WHEN FILLING WITH GASOLINE OR WORKING ON MACHINE. KEEP GUARD IN PLACE.

PATENTED: US#4,113,403 CAN#13B6121 AND OTHERS PENDING.

ECCENTRIC OIL LEVEL

(MEASURE WITH 2 TO 2-1/4 IN. SHOWING ON A DIPSTICK SUCH AS A PENCIL.)

55040 DO NOT OVERFILL

3

ENGINE: Must run at full speed (3400 RPM) or on idle to ensure proper clutch life.

55017

4

CAUTION

USE SAFETY STRAPS TO BASE WHEN LIFTING MORE THAN TWO FEET HIGH

55021

6

EAR PROTECTION REQUIRED



55149

5

ECCENTRIC OIL LEVEL

MAINTAIN OIL LEVEL FLUSH WITH PLUG HOLE. DO NOT OVERFILL.

55329

7

WARNING



KEEP GUARDS IN PLACE

55331

2

IDLE ENGINE 5 MINUTES BEFORE STOPPING TO IMPROVE SERVICE LIFE

P/N 55417

8

NOTICE

CONTACT THE MANUFACTURER IMMEDIATELY AT 1-800-888-9926 IF SAFETY OR HAZARD DECALS OR OWNER'S MANUAL ARE MISSING FROM THIS EQUIPMENT. P/N 55156

9

This engine has been tested with fuel treated with

STAB-IL®

to prevent gum and varnish residue in tank.

P/N 55214

5.6 Decal Identification

Item	Part No.	Description	Qty.	Item	Part No.	Description	Qty.	Torque FT.LBS. (Nm)
1	55040	Decal Service Inst. White						
2	55417	Decal Idle Engine White						
3	55017	Decal 3400 RPM Black						
4	55021	Decal Caution Safety Blk						
5	55329	Decal Service Inst.						
6	55149	Decal Ear Protection						
7	55331	Decal Warning Belt Guard						
8	55156	Decal Notice						
9	55214	Decal Sta-Bil						

REMARK: