



OPERATOR/SERVICE MANUAL

**MODELS: S-20, S-20A, S-28, S-28A,
S-38, S-38D, S-38A, S-38DA,
S-52, S-52D, S-52T, S-66**



STONE VIBRATORY PLATE

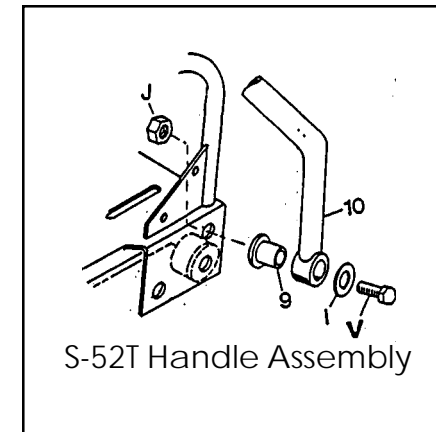
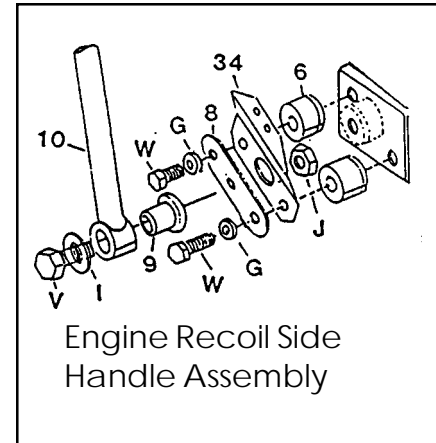
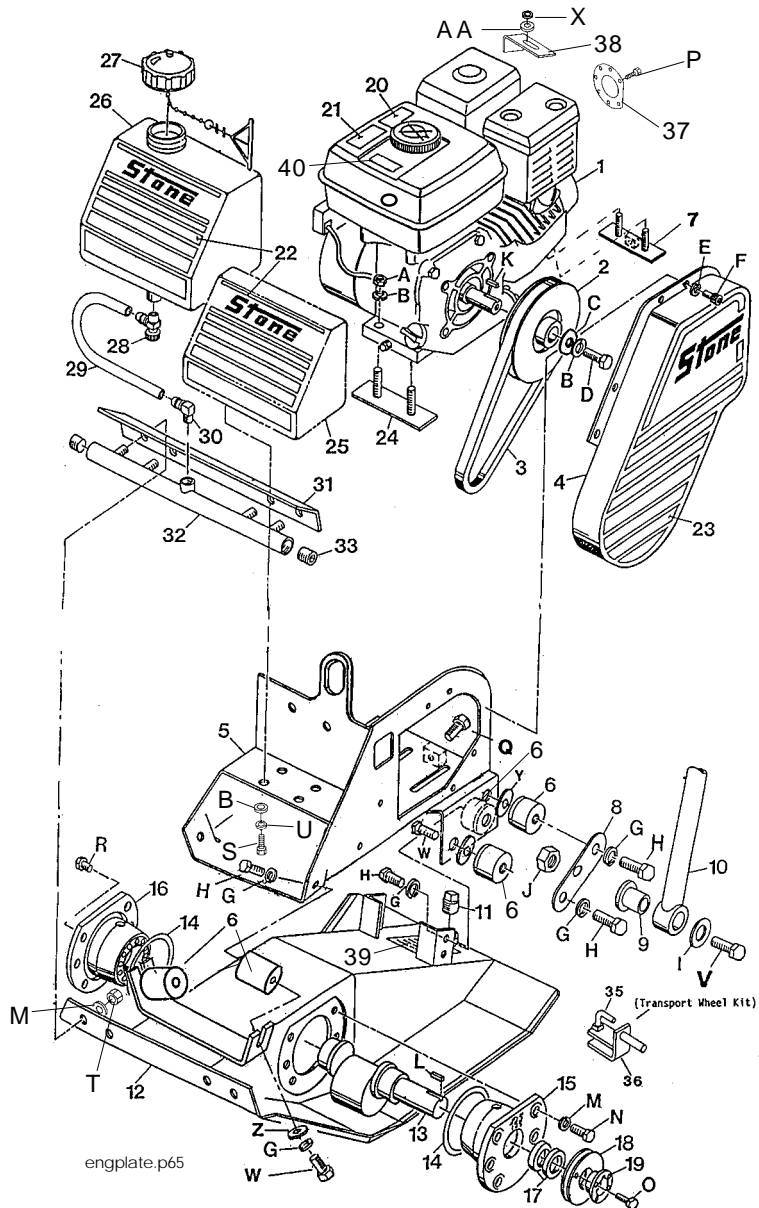
A 100% employee-owned American manufacturer

5.4 S-Plate Engine/Plate Parts List (S-28, S-38, S-52)

| Item | Part No. | Description | Qty. | Item | Part No. | Description | Qty. |
|------|----------|--------------------------------------|------|------|----------|--|------|
| 1 | 30159 | Engine 5.5 HP Honda w/Oil Alert | 1 | | 21543 | Eccentric (S-38's) | 1 |
| | 30599 | Engine 6 HP Robin | 1 | | 21544 | Eccentric (S-52) | 1 |
| | 30587 | Engine 5.5 HP B & S Intek Pro | 1 | | 42726 | Eccentric (S-52T) | 1 |
| | 30294# | 4.2 HP Yanmar (S-38's,S-52) | 1 | 14** | 32033 | O Ring (S-28's,S-38's) | 2 |
| | 31236 | Muffler Yanmar (S-38's,S-52,S-52D) | 1 | | 32111 | O Ring (S-52's) | 2 |
| | 31237 | Deflector Yanmar (S-38's,S-52,S-52D) | 1 | 15 | 22060 | Cap & Brg Sheave End (S-28's) | 1 |
| 2 | 32288 | Clutch | 1 | | 22062 | Cap & Brg Sheave End (S-38's) | 1 |
| 3 | 34711 | V-Belt Kevlar Cord | 1 | | 22064 | Cap & Brg Sheave End (S-52's) | 1 |
| | 47367 | V-Belt (Yanmar) | 1 | 16 | 22061 | Cap & Brg Blind End (S-28's) | 1 |
| 4 | 29192 | Belt Guard | 1 | | 22063 | Cap & Brg Blind End (S-38's) | 1 |
| 5 | 29720-2 | Deck Weld (Gas) | 1 | | 22065 | Cap & Brg Blind End (S-52's) | 1 |
| | 42361-2# | Deck Weld (S-38's,S-52) (Diesel) | 1 | 17* | 32047 | Oil Seal | 2 |
| 6 | 47014 | Shock Mount | 8 | 18 | 28314 | Offset Sheave (S-38's,S-52's) | 1 |
| | 47014 | Shock Mount (S-52T) | 4 | | 34713 | Sheave BK32H (S-28's) | 1 |
| 7 | 42702 | Engine Brkt Adj Assy | 1 | 19 | 35328 | Bushing Taper Lock | 1 |
| 8 | 27189-2 | Bracket Handle (except S-52T) | 2 | 20 | 55017 | Decal 3400 RPM | 1 |
| 9 | 32040 | Urethane Bushing | 2 | 21 | 55015 | Decal Idle Engine | 1 |
| 10 | 21549-2 | Handle | 1 | 22 | 55141 | Decal Front | 1 |
| | 29382-2 | Handle (S-52T) | 1 | 23 | 55142 | Decal Belt GD | 1 |
| 11 | 46774 | Plug 3/4 Npt Magnetic Sq. Hd. | 1 | 24 | 21550-2 | Bracket Engine | 1 |
| 12 | 29726-2 | Base Machine (S-28's) | 1 | 25 | 29107 | Plate Trim (S-28, S-38,S-38D,S-52,S-52D) | 1 |
| | 29725-2 | Base Machine (S-38's) | 1 | 26 | 47214 | Water Tank (S-28A,S-38A,S-38DA) | 1 |
| | 29724-2 | Base Machine (S-52's) | 1 | 27 | 38195 | Cap (S-28A,S-38A,S-38DA) | 1 |
| 13 | 21542 | Eccentric (S-28's) | 1 | 28 | 46009 | Valve & Strainer (S-28A,S-38A,S-38DA) | 1 |

REMARK: # Diesel Option (S-38D(A)and S-52D) - All parts are the same as S-38(A)and S-52 except for Items 1 and 5.
 * Included in Item 15
 ** Included in Items 15 & 16

5.4 S-Plate Engine/Plate Parts List (S-28, S-38, S-52) Cont'd.



5.4 S-Plate Engine/Plate Parts List (S-28, S-38, S-52) Cont'd.

| Item | Part No. | Description | Qty. | Item | Part No. | Description | Qty. | Torque | |
|------|----------|--|------|------|----------|--|------|---------|------|
| | | | | | | | | FT.LBS. | (Nm) |
| 29 | 47250 | Hose Ureth 1/4 ID (S28A,S38A,S38DA) | 1 | A | 80114 | NUTNY | 4 | | |
| 30 | 34486 | Elbow 90 Degree (S28A,S38A,S38DA) | 1 | B | 80086 | WSHR 5/16 Med Split (S28A,S38A) | 11 | | |
| 31 | 27263-2 | Sprinkler GD (S28A,S38A,S38DA) | 1 | | 80086 | WSHR 5/16 Med Split (S28,S38,S52's) | 9 | | |
| 32 | 22443-2 | Sprinkler Tube (S28A,S38A,S38DA) | 1 | C | 39233 | WSHR .343 ID x1.0 OD | 1 | | |
| 33 | 43281 | Orifice Plug 1/4 NPT (S28A,S38A,S38DA) | 2 | D | 80095 | HHCS 5/16-24 X 3/4 | 1 | 16 | 12 |
| | * 22580 | Water Tank Kit (S28A,S38A,S38DA) | 1 | E | 80116 | WSHRL 1/4 Med Split | 6 | | |
| 34 | 29454-2 | Brkt Handle Retainer (except S52) | 1 | F | 80759 | SHCS 1/4-20 X 5/8 BLK | 6 | 8 | 6 |
| 35 | 37820 | Fluted Knob | 2 | G | 80117 | WSHRL 1/2 Med Split (Except S52T) | 16 | | |
| 36 | 22907 | Transport Wheel Kit | 1 | | 80117 | WSHRL 1/2 Med Split (S52T) | 8 | | |
| | 34213 | Wheel 10 x 2.75 (not shown) | 2 | H | 80113 | HHCS 1/2-13 X 3/4 (Except S52T) | 10 | 55 | 40 |
| 37 | 30166 | Deflector Exhaust (Honda) | 1 | | 80113 | HHCS 1/2-13 X 3/4 (S52T) | 6 | 55 | 40 |
| 38 | 42790 | Clip Throttle (Honda) | 1 | I | 80343 | WSHR Flat 1/2 | 2 | | |
| 39 | 55040 | Decal Service | 1 | J | 80051 | NUTNY 1/2-13 | 2 | | |
| 40 | 55214 | Decal Sta-Bil | 1 | K | 80611 | Key 3/16 X 3/16 X 2 | 1 | | |
| | | | | L | 80061 | Key 1/4 X 1/4 X 1-1/2 (S38's, S52's) | 1 | | |
| | | | | M | 80058 | WSHRL 3/8 Med Split | 12 | | |
| | | | | | 80058 | WSHRL 3/8 Med Split (S28A, S38A) | 16 | | |
| | | | | N | 80387 | HHCS 3/8-24 X 1-1/4 | 12 | 50 | 37 |
| | | | | O* | 80354 | HHCS 1/4-20 X 1 (S38, S38A, S52, S52T) | 2 | 8 | 6 |
| | | | | P | 80766 | HWH Crimptite #8 x 3/8 (Honda) | 2 | | |
| | | | | Q | 80743 | HHTB 5/16-18 X 4-1/2 GR2 | 1 | 11 | 8 |
| | | | | R | 80185 | HHCS 3/8-24 X 1/2 | 1 | 50 | 37 |
| | | | | S | 80159 | HHCS 5/16-18 X 3/4 (S28A,S38A) | 6 | 11 | 8 |
| | | | | | 80159 | HHCS 5/16-18 X 3/4 (S28,S38,S52's) | 4 | 11 | 8 |
| | | | | T* | 80042 | NUTFX 3/8-16 (S28A,S38A) | 4 | | |
| | | | | U | 80348 | WSHR 5/16 Wrot ZN | 4 | | |
| | | | | | | (Except S28A, S38A) | | | |
| | | | | | 80348 | WSHR 5/16 Wrot ZN (S28A, S38A) | 6 | | |
| | | | | V | 80194 | HHSC 1/2-13 X 2-1/2 | 2 | 75 | 55 |
| | | | | W | 80378 | HHCS 1/2-13 X 1 Plain (Except S52T) | 6 | 55 | 40 |
| | | | | | 80378 | HHCS 1/2-13 X 1 Plain (S52T) | 2 | 55 | 40 |
| | | | | X | 80346 | WSHR #10 | 1 | | |
| | | | | Y | 26326 | WSHR 9/16 X 1-3/4 X 1/4 (Except S52T) | 2 | | |
| | | | | Z | 80118 | WSHR 1/2 Wrot ZN | 2 | | |
| | | | | AA | 80065 | WSHRL #10 | 1 | | |

REMARK: T* Loctite required
O* For S28, S28A is part of P/N 35328.
33* Kit 22580 includes P/Ns: 47214, 38195, 46009, 47250, 34486, 27263-2, 22443-2, and 43281.

5.6 Decal Identification

1

SERVICE INSTRUCTIONS

DAILY • WITH ENGINE LEVEL, CHECK OIL. ADD OIL AS NECESSARY. OVER 40°F USE SAE 30, UNDER 40°F USE SAE 5W-20 OIL. • CHECK ECCENTRIC OIL. USE SAE 30. SEE INSTRUCTIONS BELOW • CLEAN AIR FILTER. CLEAN FILTER PROLONGS ENGINE LIFE AND DECREASES GASOLINE CONSUMPTION. SEE INSTRUCTIONS ON FILTER CAP. • TIGHTEN ALL FASTENERS.

WEEKLY • CHANGE ENGINE OIL • CHECK BELT TENSION AND ADJUST AS NECESSARY.

MONTHLY • CHANGE ECCENTRIC OIL. USE SAE 30.

WARNING: ALWAYS STOP ENGINE WHEN FILLING WITH GASOLINE OR WORKING ON MACHINE. KEEP GUARD IN PLACE.

PATENTED: US#4,113,403 CAN#13B6121 AND OTHERS PENDING.

ECCENTRIC OIL LEVEL

(MEASURE WITH 2 TO 2-1/4 IN. SHOWING ON A DIPSTICK SUCH AS A PENCIL.)

55040 DO NOT OVERFILL

3

ENGINE: Must run at full speed (3400 RPM) or on idle to ensure proper clutch life.

55017

4

CAUTION

USE SAFETY STRAPS TO BASE WHEN LIFTING MORE THAN TWO FEET HIGH

55021

6

EAR PROTECTION REQUIRED



55149

5

ECCENTRIC OIL LEVEL

MAINTAIN OIL LEVEL FLUSH WITH PLUG HOLE. DO NOT OVERFILL.

55329

7

WARNING



KEEP GUARDS IN PLACE

55331

2

IDLE ENGINE 5 MINUTES BEFORE STOPPING TO IMPROVE SERVICE LIFE

P/N 55417

8

NOTICE

CONTACT THE MANUFACTURER IMMEDIATELY AT 1-800-888-9926 IF SAFETY OR HAZARD DECALS OR OWNER'S MANUAL ARE MISSING FROM THIS EQUIPMENT. P/N 55156

9

This engine has been tested with fuel treated with

STAB-IL®

to prevent gum and varnish residue in tank.

P/N 55214

5.6 Decal Identification

| Item | Part No. | Description | Qty. | Item | Part No. | Description | Qty. | Torque FT.LBS. (Nm) |
|------|----------|---------------------------|------|------|----------|-------------|------|------------------------|
| 1 | 55040 | Decal Service Inst. White | | | | | | |
| 2 | 55417 | Decal Idle Engine White | | | | | | |
| 3 | 55017 | Decal 3400 RPM Black | | | | | | |
| 4 | 55021 | Decal Caution Safety Blk | | | | | | |
| 5 | 55329 | Decal Service Inst. | | | | | | |
| 6 | 55149 | Decal Ear Protection | | | | | | |
| 7 | 55331 | Decal Warning Belt Guard | | | | | | |
| 8 | 55156 | Decal Notice | | | | | | |
| 9 | 55214 | Decal Sta-Bil | | | | | | |

REMARK: