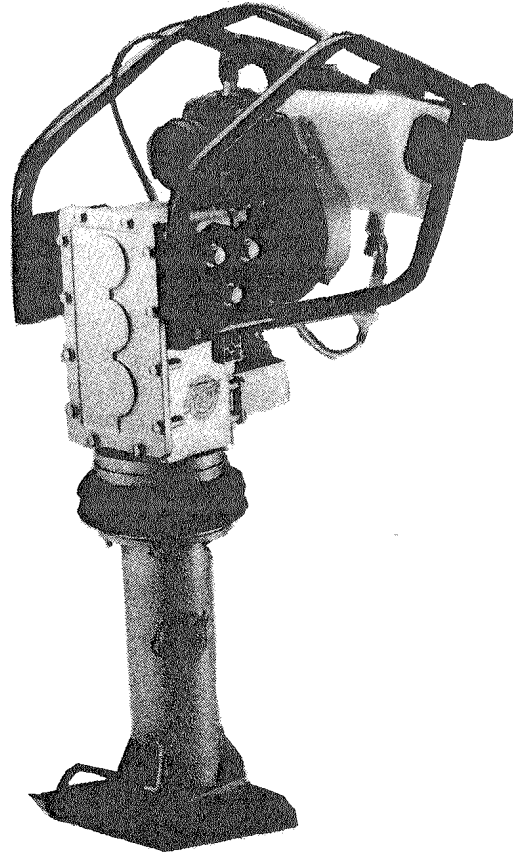


PM

Stone®

OWNER'S MANUAL

**MODELS: SLR 1908, SVR 2311,
SVR 2411, SVR 2811**



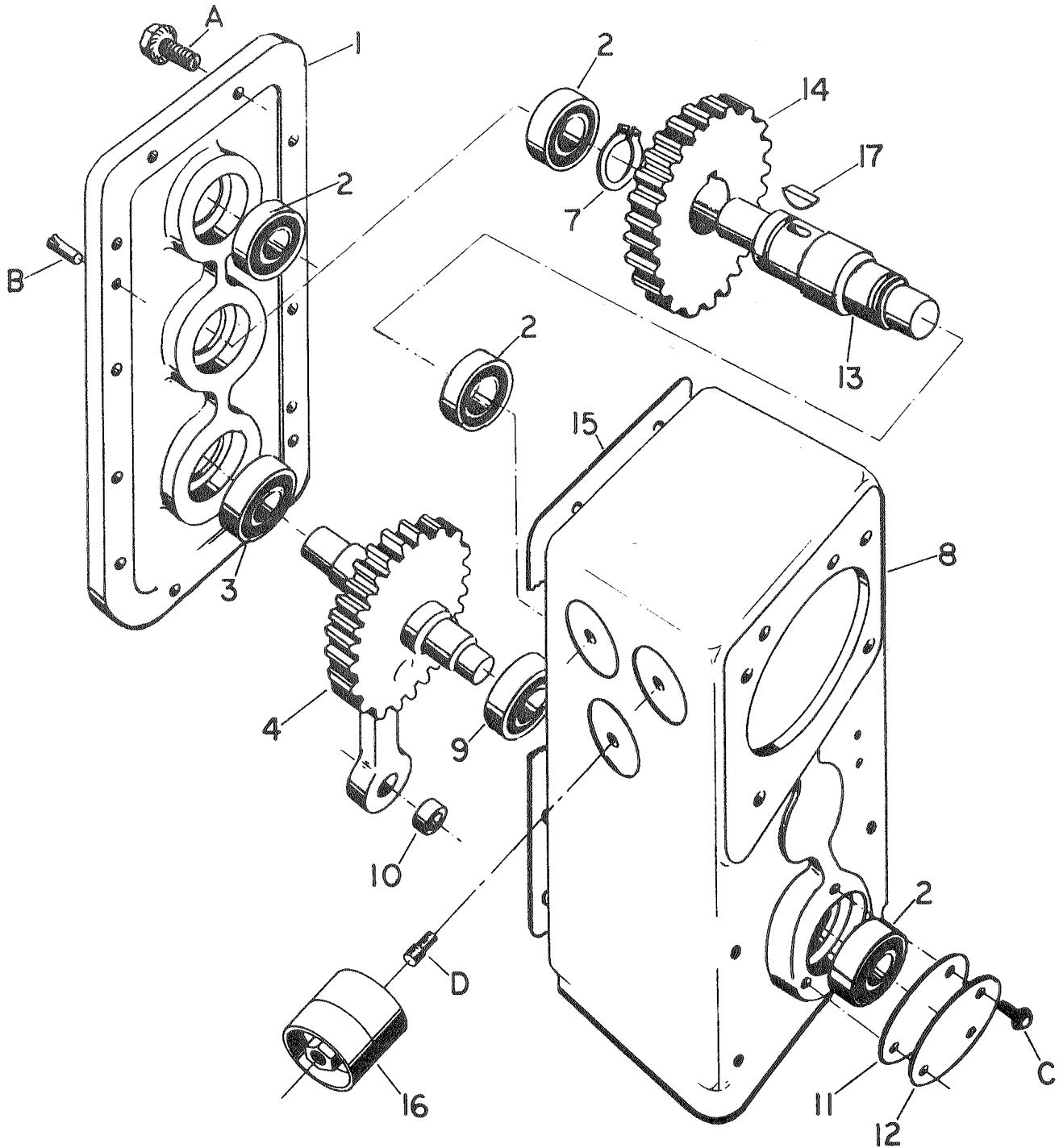
STOMPER®

Stone Construction Equipment, Inc.
P.O. Box 150, Honeoye, New York 14471
Phone: (800) 888-9926
Fax Numbers:
Honeoye, NY 716-229-2363
Pleasant Grove, UT 801-785-0249
Brunswick, GA 912-264-5758

A 100% employee-owned American manufacturer

© 1989 Stone Construction Equipment, Inc.

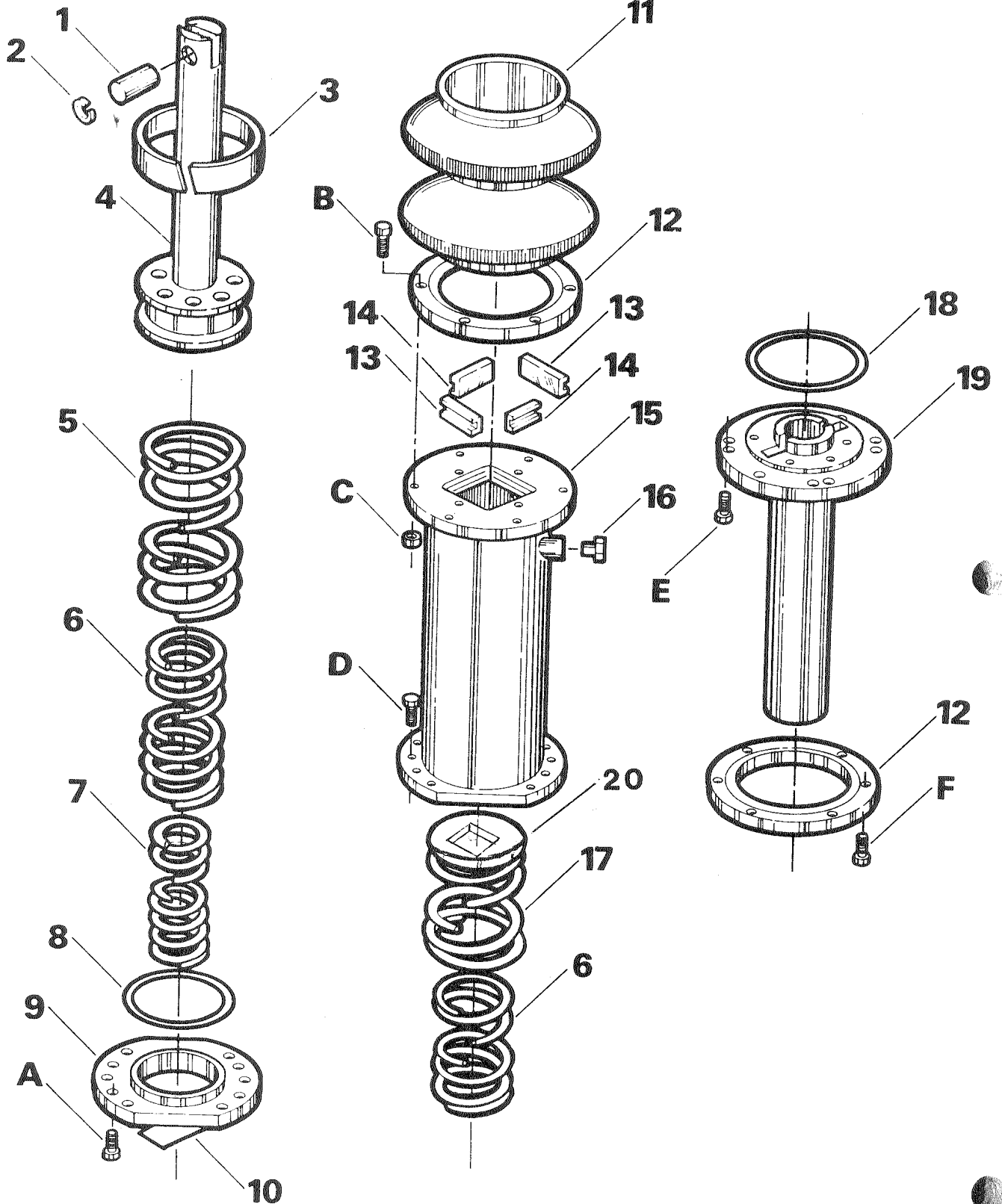
GEARCASE



ITEM	PART NO.	DESCRIPTION	QUANTITY			
			SLR 1908	SVR 2311	SVR 2411	SVR 2811
1	24249-2	COVER WITHOUT BEARINGS	1	1	1	1
	21528-2	COVER WITH BEARINGS	1	1	1	1
2	32021	BEARING	4	4	4	4
3	32050	BEARING	1	1	1	1
4	26924	CRANK ASSEMBLY	1	1	1	1
7	80099	RETAINING RING	1	1	1	1
8	24248-2	GEARCASE	-	1	1	1
	27310-2	GEARCASE	1	-	-	-
9	32022	BEARING	1	1	1	1
10	24297	ROD BUSHING	1	1	1	1
11	24292	SPEED COVER GASKET	1	1	1	1
12	27114	SPEED COVER	1	1	1	1
13	42059	INTERMEDIATE SHAFT	1	1	1	1
14	38747	GEAR INTERMEDIATE 54T	1	-	1	-
	38748	GEAR INTERMEDIATE 50T	-	1	-	1
15	24291	COVER GASKET	1	1	1	1
16	47014	SHOCK MOUNT	6	6	6	6
17	80679	WOODRUFF KEY #605	1	1	1	1

ITEM	PART NO.	DESCRIPTION	QUANTITY				TORQUE (FT.LBS)
			SLR 1908	SVR 2311	SVR 2411	SVR 2811	
A	80085	5/16 X 1 SELF TAPPING BOLT	12	12	12	12	20
B	80002	1/4 X 5/8 ALIGNMENT PIN	2	2	2	2	-
C	80108	#10 SELF-TAPPING SCREW	-	3	3	3	4
	80461	#10 SELF-TAPPING SCREW	3	-	-	-	4
D	47175	SHOCK MOUNT STUD	6	6	6	6	-

LOWER UNIT



ITEM	PART NO.	DESCRIPTION	QUANTITY			
			SLR 1908	SVR 2311	SVR 2411	SVR 2811
1	80423	ROD PIN	1	1	1	1
2	80519	INTERNAL RET. RING	1	1	1	1
3	27521	PISTON RING	1	1	1	1
4	28848	PISTON ASSEMBLY	1	1	1	1
5	27576	SPRING LOWER OUTER	-	1	1	1
	28703	SPRING LOWER	1	-	-	-
6	26650	SPRING INNER	-	2	2	2
7	27577	SPRING LOWER INNER	-	1	1	1
8	32033	O-RING	1	1	1	1
9	24310	BASE PLATE	1	1	1	1
10	55026	SPRING HSG SAFETY DECAL	1	1	1	1
11	35221	BOOT	1	1	1	1
12	27945	BOOT RING	2	2	2	2
13	27938	BUSHING SHORT	2	2	2	2
14	27939	BUSHING LONG	2	2	2	2
15	21989-2	SPRING HOUSING	1	1	1	1
16*	34096	OIL SIGHT GAUGE	1	1	1	1
17	24375	SPRING UPPER OUTER	-	1	1	1
	28719	SPRING UPPER	1	-	-	-
18	32025	O-RING	1	1	1	1
19	28850	GUIDE ASSEMBLY	1	1	1	1
20	28079	SPACER	1	1	1	1
	42318	SPACER WELD				

REPLACES

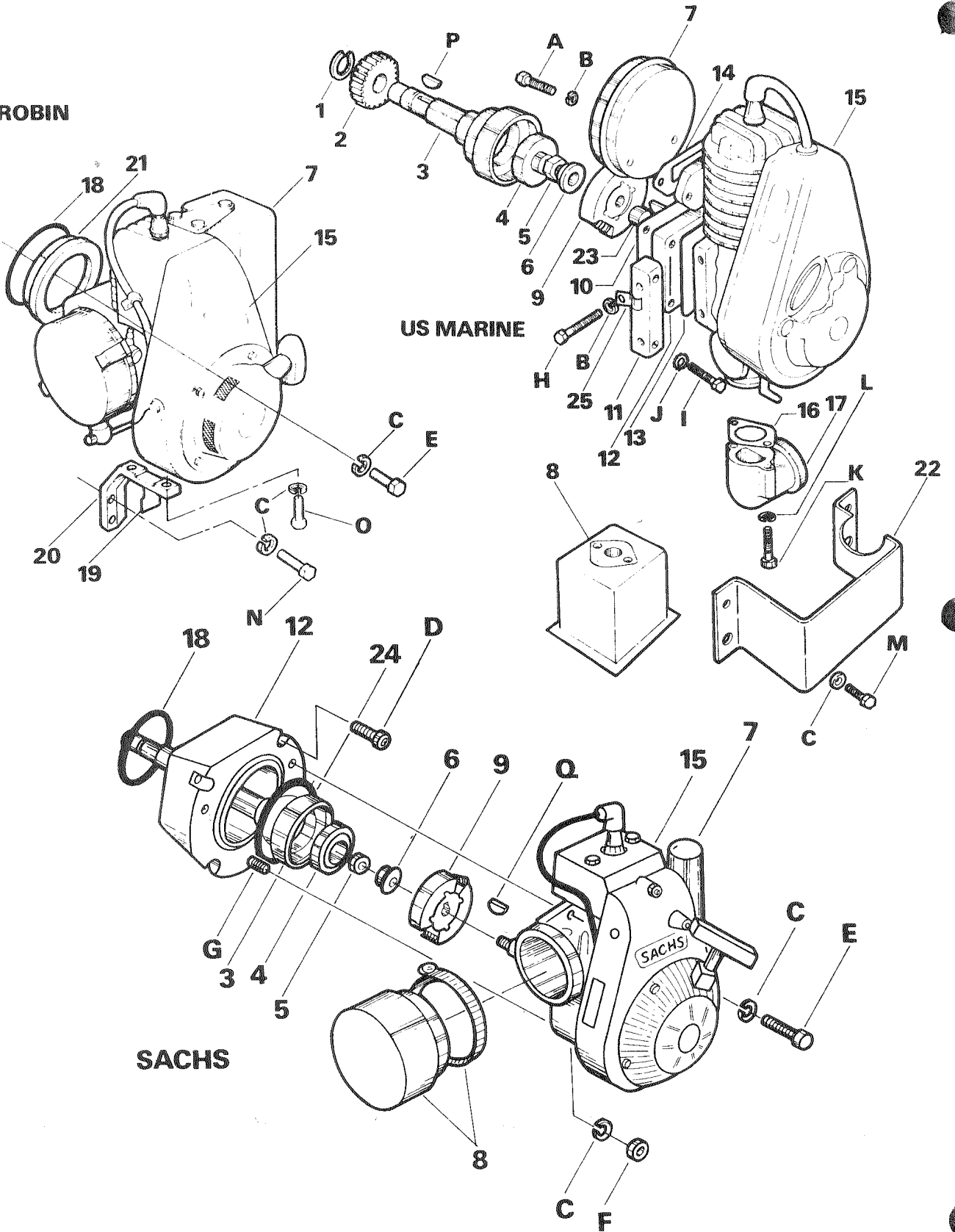
ITEM	PART NO.	DESCRIPTION	QUANTITY			
			SLR 1908	SVR 2311	SVR 2411	SVR2811
A	80047	3/8 - 16 X 1 CAP SCREW	4	4	4	4
B	80049	5/16 - 18 X 1-1/4 CAP SCREW	6	6	6	6
C	80114	5/16 - 18 LOCK NUT	6	6	6	6
D	80081	7/16 - 14 X 1-1/4 HEX BOLT	6	6	6	6
E	80048	3/8 - 16 X 3/4 CAP SCREW	4	4	4	4
F	80050	5/16 - 18 X 3/4 CAP SCREW	6	6	6	6

* USE OF A SOCKET WRENCH IS RECOMMENDED TO AVOID DAMAGE TO THE SIGHT GAUGE.

ROBIN

US MARINE

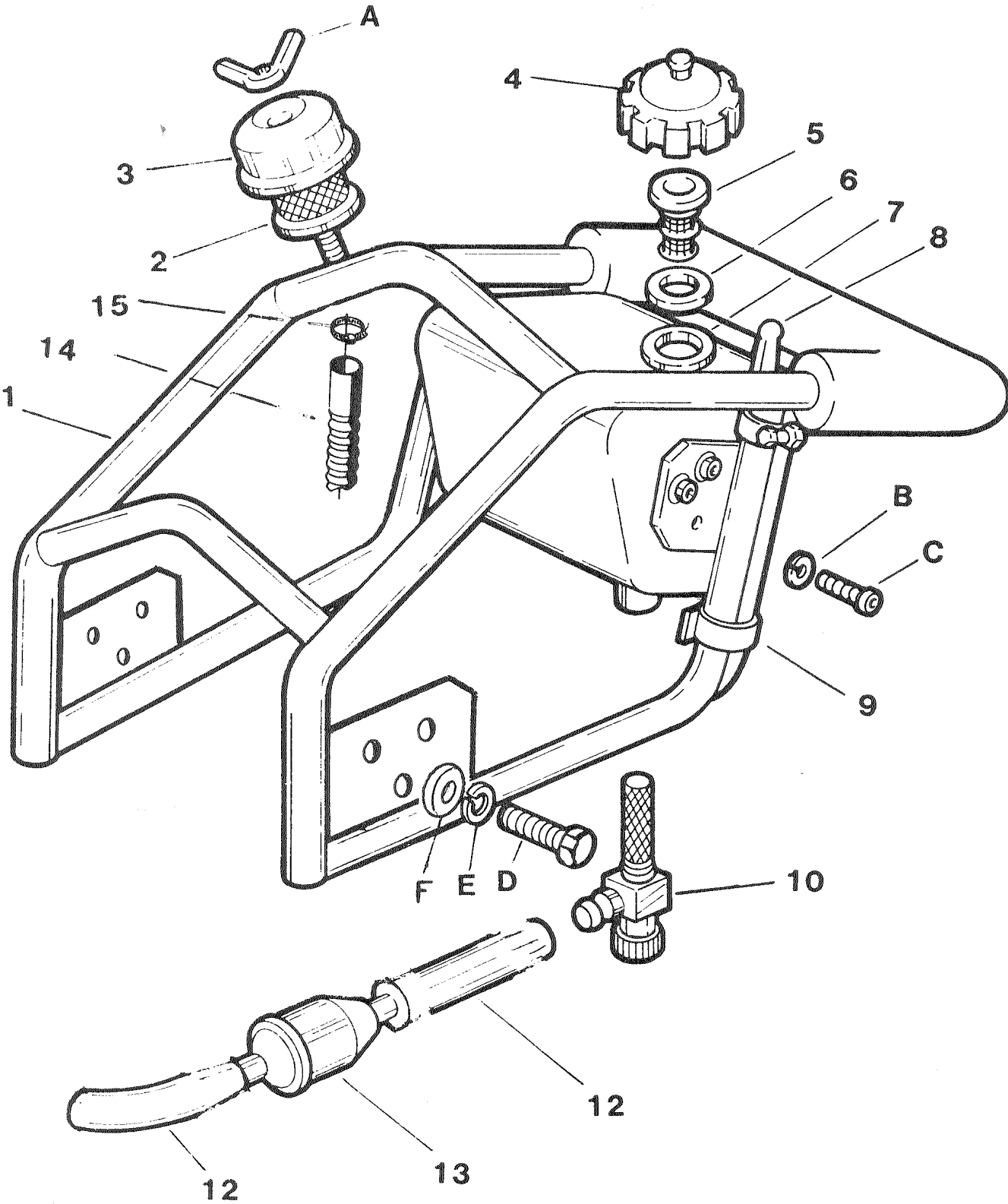
SACHS



ITEM	PART NO.	DESCRIPTION	QUANTITY			
			SLR 1908	SVR 2311	SVR 2411	SVR 2811
1	34084	RETAINING RING	1	1	1	1
2	26763	PINION 18T	1	-	1	-
	27062	PINION 22T	-	1	-	1
3	24300	CLUTCH HOUSING	1	-	1	-
	21753	CLUTCH HOUSING	-	1	-	1
4	32022	BEARING	1	1	1	1
5	35060	LOCKNUT (M12 X 1.25)	-	1	-	1
	80062	LOCKNUT (7/16 - 20)	1	-	1	-
6	24305	CLUTCH SPACER	1	-	1	-
	27242	CLUTCH SPACER	-	1	-	1
7	26922	MUFFLER	1	-	1	-
	35914	MUFFLER	-	1	-	-
	38029	MUFFLER	-	-	-	1
8	35702	AIR CLEANER	-	1	-	-
	34049	AIR CLEANER	1	-	-	-
9	30031	CLUTCH	1	-	1	-
	30092	CLUTCH	-	1	-	1
10	24394	GASKET	-	-	1	-
	47222	GASKET	1	-	-	-
11	26935	ENGINE ADAPTER	1	-	1	-
12	24376	ENGINE ADAPTER	1	-	1	-
	28651	ENGINE ADAPTER	-	1	-	-
13	24325	GASKET	1	-	1	-
14	34095	GASKET	1	-	1	-
15	30030	ENGINE	1	-	1	-
	30185	ENGINE	-	1	-	-
	30150	ENGINE	-	-	-	1
16	35227	GASKET	-	-	1	-
17	35220	ELBOW	-	-	1	-
18	32025	O RING	-	1	-	1
19	27472	ENGINE SUPPORT, RIGHT	-	-	-	1
20	27473	ENGINE SUPPORT, LEFT	-	-	-	1
21	27540	ENGINE SEAL RING	-	-	-	1
22	27950	CARBURETOR GUARD	1	-	1	-
23	24306	SPACER	1	-	1	-
	80426	SPACER	-	-	-	1
24	32215	O-RING	-	1	-	-
25	80000	THROTTLE CLIP	2	-	2	-

ITEM	PART NO.	DESCRIPTION	SLR 1907	SVR 2311	SVR 2411	SVR 2811	TORQUE (FT.LBS)
A	80044	1/4 - 20 X 2 HEX BOLT	2	-	2	-	10
B	80116	1/4 LOCK WASHER	6	-	6	-	-
C	80086	5/16 LOCK WASHER	4	3	4	12	-
D	80440	5/16-18 1-3/4 CAP SCREW	-	4	-	-	14
E	80163	5/16-18 1-1/2 HEX BOLT	-	2	-	4	21
F	80245	5/16-18 NUT	-	1	-	-	14
G	80165	5/16-18 X 1-1/4 STUD	-	1	-	-	-
H	80157	1/4-20 x 1-1/2 HEX BOL	4	-	4	-	14
I	80120	5/16-18 X 2 HEX BOLT	4	-	4	-	21
J	80334	5/16 STAR WASHER	4	-	4	-	-
K	80109	10-32 X 3/4 CAP SCREW	-	-	2	-	5
	80442	10-32 X 1/2 CAP SCREW	2	-	-	-	5
L	80065	#10 LOCK WASHER	2	-	2	-	-
M	80159	5/16-18 X 3/4 HEX BOLT	4	-	4	-	14
N	80162	5/16-18 X 1 HEX BOLT	-	-	-	4	21
O	80087	M8 X 1.25 X 25 MM HEX BOLT	-	-	-	4	21
P	80015	WOODRUFF KEY NO. 5	2	1	2	1	-
Q	80016	WOODRUFF KEY M4 X 5	-	1	-	1	-

HANDLE & FUEL TANK

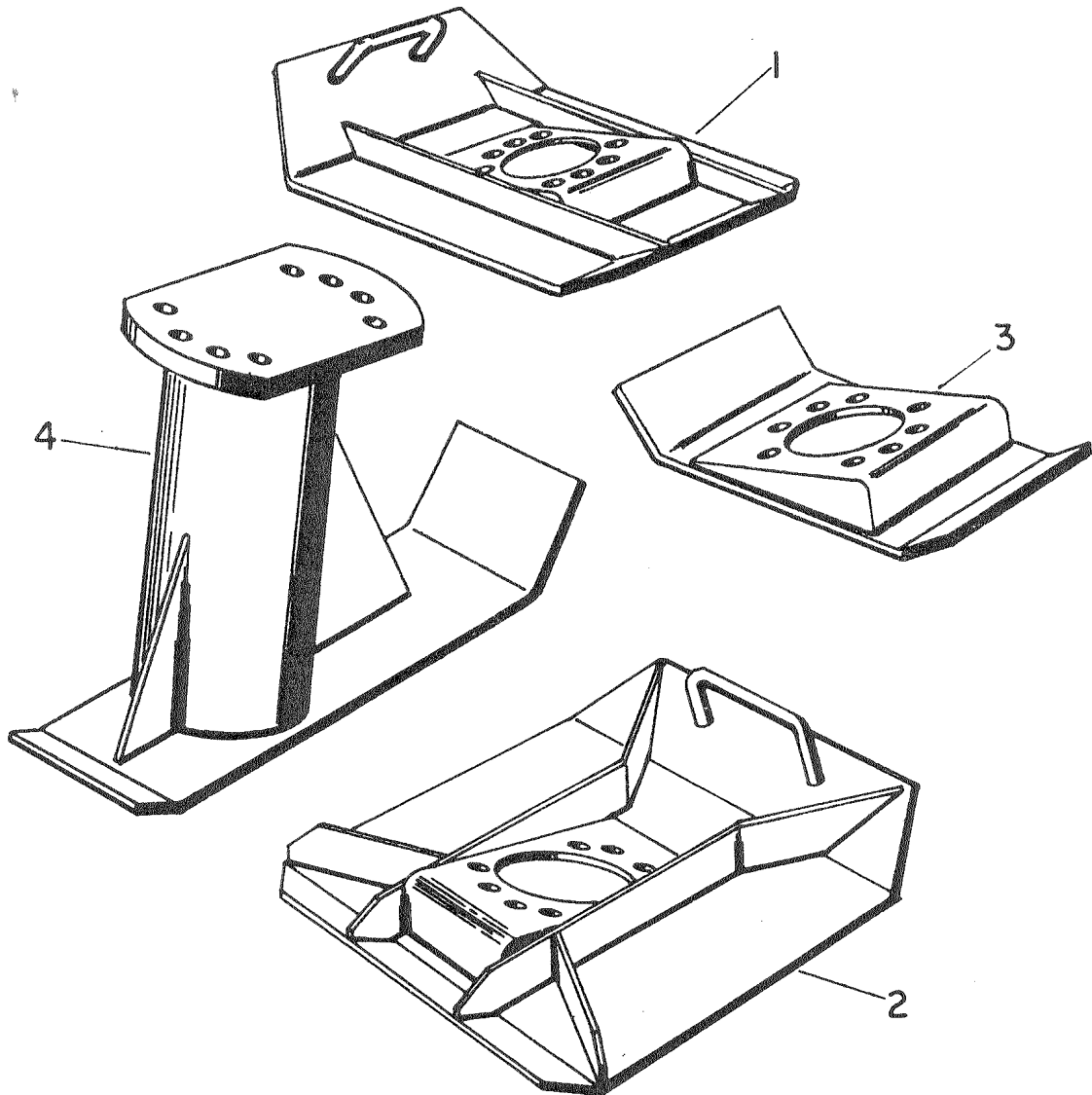


Chox *SAS* *Chox* *Robin*

ITEM	PART NO.	DESCRIPTION	QUANTITY			
			SLR 1908	SVR 2311	SVR 2411	SVR 2811
1	28786	HANDLE	1	-	-	-
	28797	HANDLE	-	1	-	-
	28900	HANDLE	-	-	1	-
	28910	HANDLE	-	-	-	1
2	35226	AIR CLEANER	-	-	1	-
3	28902	FILTER COVER	-	-	1	-
4	35701	CAP	1	1	1	1
5	47219	STRAINER	1	1	1	1
6	80441	RETAINING RING	1	1	1	1
7	47202	GAS TANK	1	1	1	1
8	22325	THROTTLE ASSY KIT	1	1	1	-
	22514	THROTTLE ASSY KIT	-	-	-	1
	38124	THROTTLE CABLE ONLY	-	-	-	1
	22257	THROTTLE CABLE ONLY	1	1	1	1
9	34091	CABLE CLAMP	1	1	1	1
10	46009	PET COCK	1	1	1	1
12	28799	GAS LINE	2	2	2	2
13	35486	GAS FILTER	1	1	1	1
14	47173	HOSE	-	-	1	-
15	35219	CLAMP	-	-	2	-

ITEM	PART NO.	DESCRIPTION	SLR 1908	SVR 2311	SVR 2411	SVR 2811	TORQUE (FT.LBS.)
A	80542	WING NUT - 1/4 - 20	-	-	1	-	FINGER TIGHT
B	80086	5/16 SPLIT LOCK WASHER	6	6	6	6	-
C	80050	5/16 - 18 x 3/4 CAP SCREW	6	6	6	6	14
D	80113	1/2 - 13 x 3/4 HEX BOLT	6	6	6	6	59
E	80117	1/2 SPLIT LOCK WASHER	6	6	6	6	-
F	80343	1/2 FLAT WASHER	6	6	6	6	-

SHOES



ITEM	PART NO.	DESCRIPTION
1	28752 24320 22350	8" WIDE SHOE FOR SLR 1908 11" WIDE SHOE FOR SVR 2311, 2411, 2811
2	26660	15" WIDE OPTIONAL SHOE FOR SVR 2311, 2411, 2811 ONLY
3	26655	5" WIDE OPTIONAL SHOE FOR SVR 2311, 2411, 2811, ONLY
4	26889	4" WIDE OPTIONAL SHOE WITH 14" EXTENSION FOR SVR 2311, 2411, 2811 ONLY