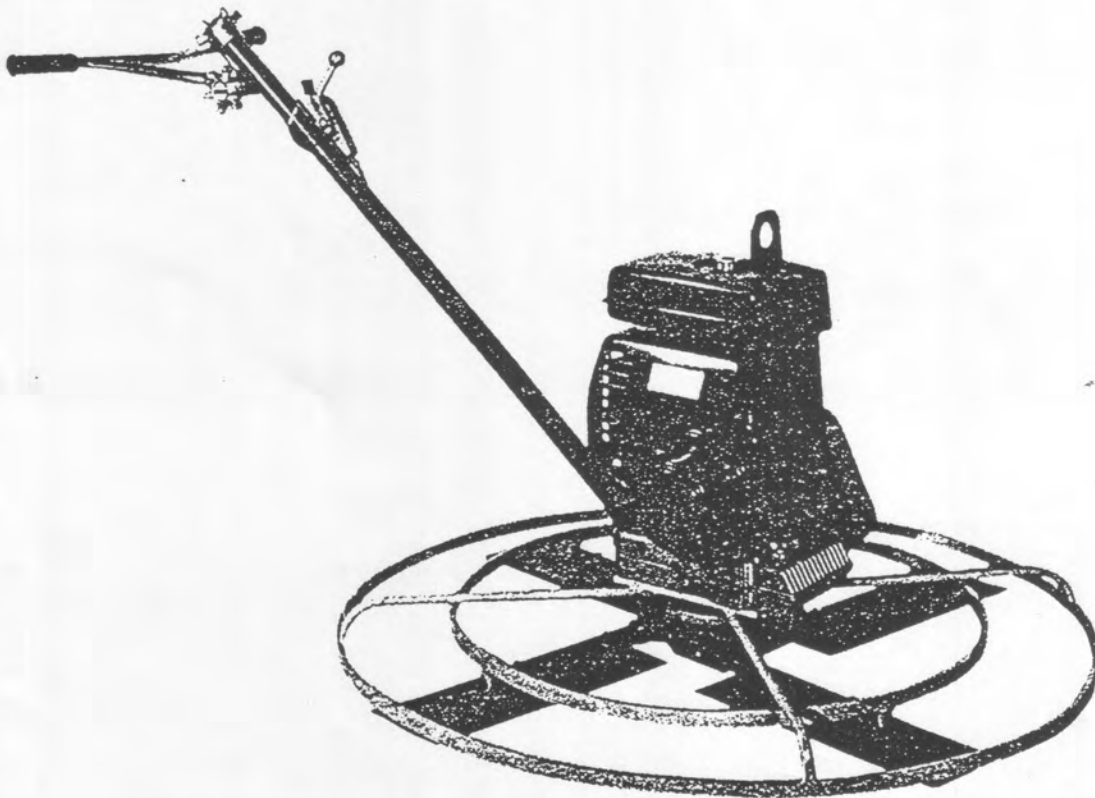


Stone

TROWELS

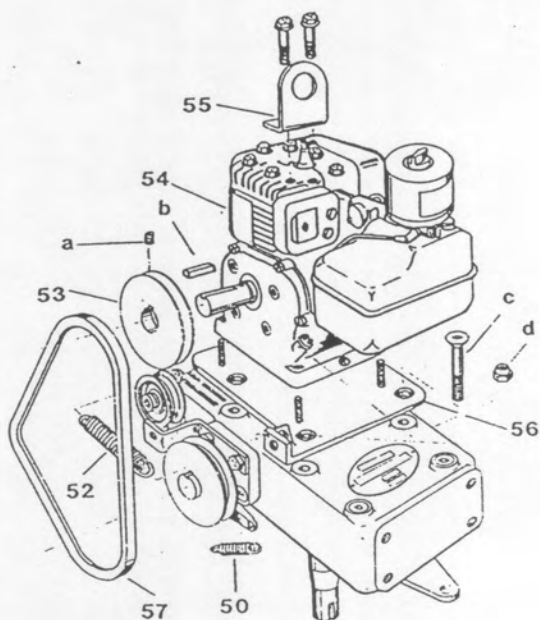
OWNER'S MANUAL



MODEL: T30, T36, T46, T48U

PATENT NO. 4046483, OTHERS PENDING

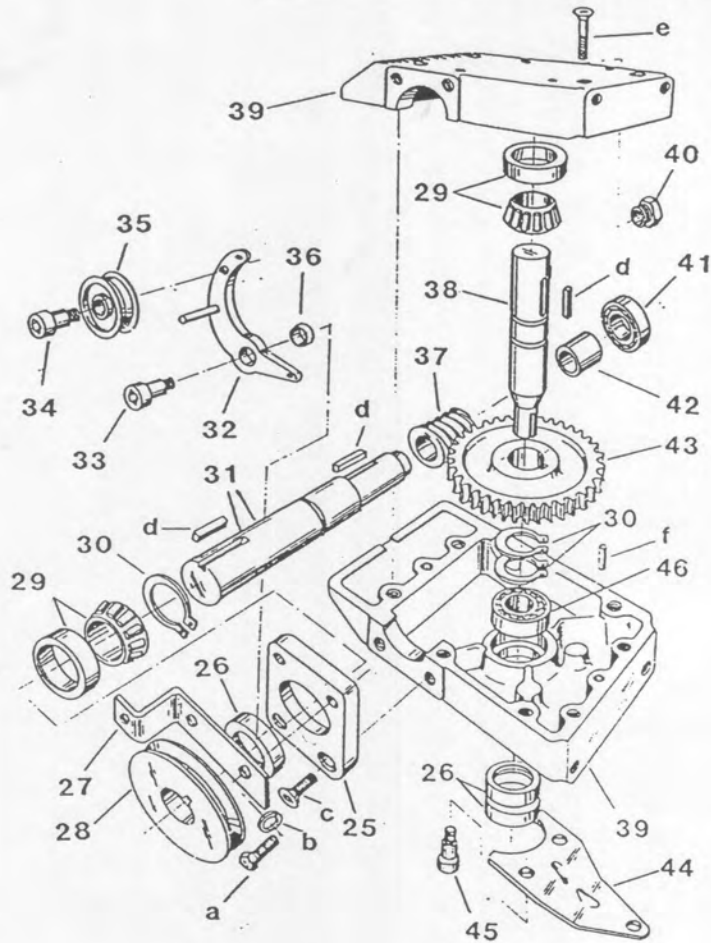
POWER PACK



Item	Part No.	Description	QTY.					
			4 hp B & S	5 hp B & S	8 hp B & S	4.6 hp Robin	7.5 hp Robin	BKN Wisc
50	34796	Spring	1	1	1	1	1	1
52	34797	Spring	1	1	1	1	1	1
53	34833	Sheave AK34-3/4	1	1		1		
	34834	Sheave AK34-1			1		1	1
54	30097	Engine B & S	1					
	30096	Engine B & S		1				
	30117	Engine B & S			1			
	30054	Engine, Robin				1		
	30119	Engine, Robin					1	
	30118	Engine, BKN						1
55	24543	Lift Eye	1	1	1			
	21654	Lift Eye				1		
	21659	Lift Eye					1	
24543	27444	Lift Eye						1
56	21700	Motor Base	1	1				
	21701	Motor Base			1			
	21702	Motor Base				1		
	21703	Motor Base					1	
	21705	Motor Base						1
57	34790	Kevlar Belt L424	1	1		1		
	34791	Kevlar Belt L425					1	1
	34792	Kevlar Belt L426			1			
58	26325	Engine Spacer				4	4	

Item	Description
a	5/16-18-3/8 Socket Set Screw
80100	b 1/4 x 1/4 x 1 Sq. Key
80067	c 5/16-18-2 1/2 Flat Hd. Socket Screw
80114	d 5/16-18 Nyloc Nut

GEARCASE ASSEMBLY



Item	Part No.	Description	Qty
	25	Bearing Cover	1
	26	Seal	3
	27	Belt Grd Mtg Brkt	1
	28	Sheave, AK39-1	1
32223	29	Tapered Roller Brg	2
	30	Retaining Ring 5160-98	3
	31	Input Shaft	1
	32	Clutch Lever	1
80093	33	-	1
80124	34	-	1
35203	35	Idler Pulley	1
21667	36	Bearing AA-521-9	1
	37	Worm	1
	38	Output Shaft	1
	39	Case	1
	40	Oil Sight Plug	1
	41	Bearing 6003	1
	42	Input Shaft Spacer	1
	43	Worm Gear	1
	44	Tilt Lever	1
80073	45	-	2
	46	Bearing R-14	1

Not available separate.

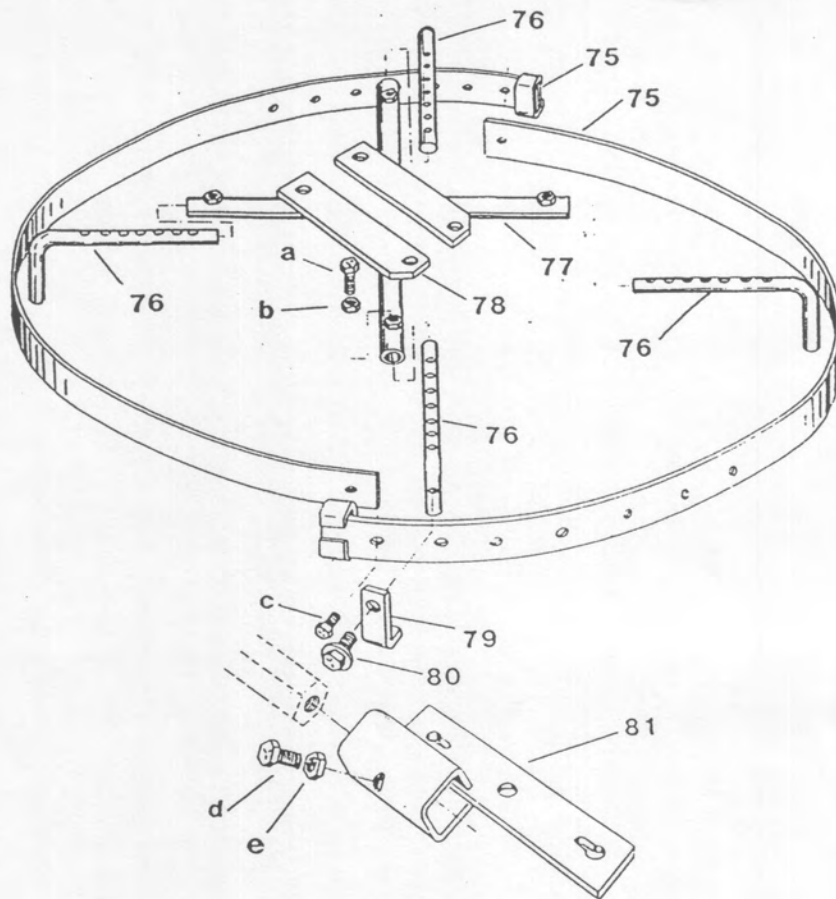
Specify 3 or 4 bl.

Item	Description
80161	a 5/16-18-1 Hex Hd Bolt
80086	b 5/16 Lockwasher
80105	c 5/16-18-1 Flat Hd Socket Screw
80100	d 1/4 x 1/4 x 1 Key
80067	e 5/16-18-2 1/2 Flat Hd Socket Screw
80001	f 1/4 x 1/2 Dowel Pin

28260
22158
28435

UNIVERSAL TROWEL COMPONENTS

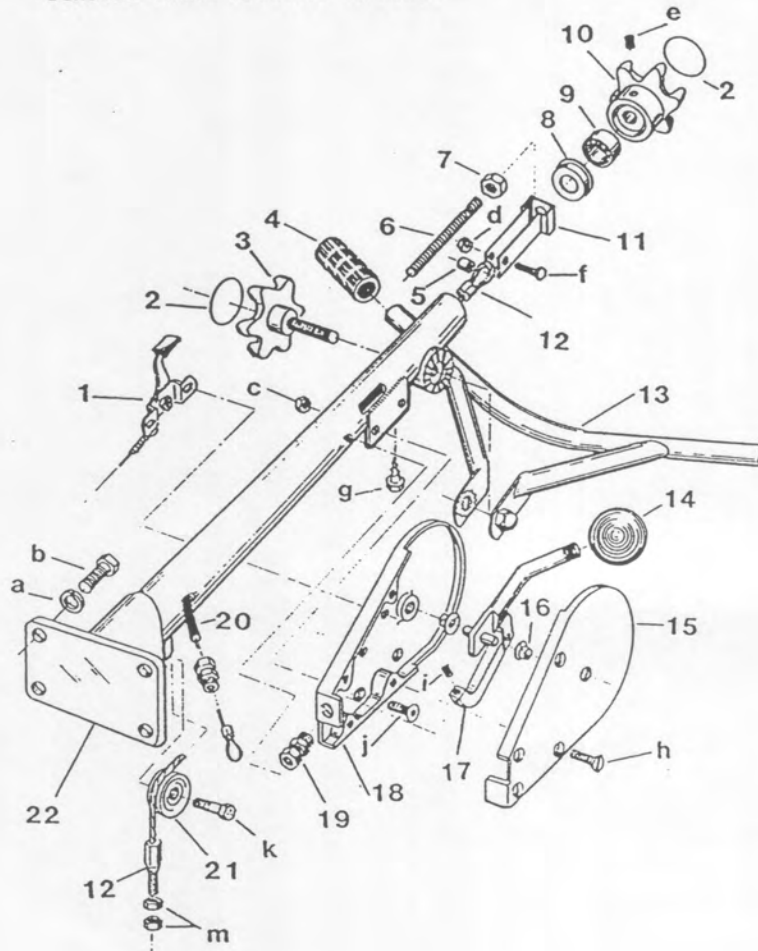
T-36



<u>Item</u>	<u>Part No.</u>	<u>Description</u>	<u>Qty</u>	<u>Item</u>	<u>Description</u>
75	27431	Band	2	a	5/16-18-1 Hx Hd Bolt
76	27435	Guard Arm	4	b	5/16-18 Jam Nut
77	27436	Guard Spt. ,L.S.	1	c	5/16-24-5/8 Hx Hd Bolt
78	27437	Guard Spt. ,R.S.	1	d	5/16-18-1 Hx Hd Bolt
79	27434	Band Spt. Bracket	4	e	5/16-18 Jam Nut
80	27442	Washer Hd. Bolt	4		
81	27443	Univ. Blade Holder	4		

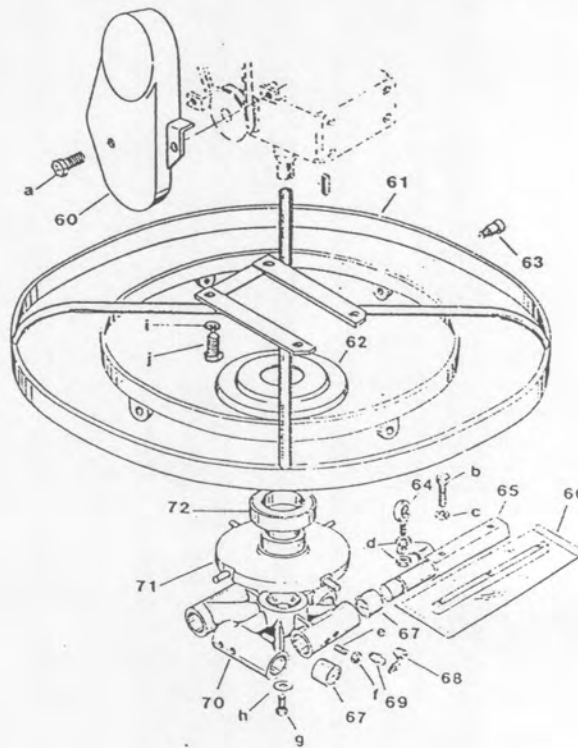
#22185 HANDLE ASSEMBLY

*Denotes items included in assy.



Item	Part No.	Name	Qty	Item	Description	
	1 *	34783	Throttle Assembly	1		
55059	2	-	Decal	2	80058 a	3/8 Lockwasher
21844	3 *	21693	Knob Assembly	1	80102 b	3/8-16-1 Hex Hd Bolt
	4	47125	Handle Grip	2	80236 c	1/4-20 Nut
	5	27362	Spacer	1	80236 d	1/4-20 Nut
	6 *	21660	Acme Thread	1	80261 e	3/8-16-3/4 Socket Set Screw
80018	7 *	44067	Acme Nut	1	80354 f	1/4-20-1 Hex Hd Bolt
	8	27390	Bearing Retainer	1	g	#10 Sheet Metal Screw
	9	32118	Bearing 6003	1	h	10-24-7/8 Slotted F.H.Screw
	10 *	27360	Tilt Knob	1	i	10-32-5/16 Socket Set Screw
22244	i 1 *	27361	Tilt Block	1	80272 j	1/4-20-5/8 F.H.Socket Screw
	12 *	34795	Tilt Cable	1	80275 k	5/16-18-1 Hex-Hd-Cap-Screw SHSHB
21843	13	21686	Adjustable Handle	1	80238 m	1/4-28 Jam Nut
	14	27363	Ball	1		
	15 *	27355	Dyna Clutch Cover	1		
	16 *	32117	Bearing, 4L4-F	2		
21997	17 *	21664	Dyna Lever Ass'y	1 W/ Ball		
	18 *	27353	Dyna Cl. Housing	1		
	19	34490	Fitting	2		
22072	kit 20 *	34784	Clutch Cable	1		
	21 *	34785	Pivot Pulley	1		
22202	kit 22 *	21661	Main Handle	1		

GUARD & BLADE ASSEMBLY



Item	Part No.	Description	Qty				
			T-30	T-36 3 blade	T-36 4 blade	T-46	T-48U
	60	27410 Belt Guard	1	1	1	1	1
	61	21668 Sta. Guard	1				
		21669 Sta. Guard		1	1		
		21670 Sta. Guard				1	
See Note*	62	27389 Thrust Brg Cover	1	1	1	1	1
80066	63	1/2 x 1/2-Shoulder Bolt 1/2 X 1/2	4	3	4	4	4
	64	32124 Rod End Brg	4	3	4	4	4
	65	21681 Arm	4				
		21682 Arm		3	4		
		21683 Arm				4	
		27429 Arm					4
	66	34581 Combo Blade	1				
		34582 Combo Blade		1			
		34583 Combo Blade			1		1
		34585 Combo Blade				1	
	67	32122 Bearing	8	6	8	8	8
	68	47001 Caplug, blue	4	3	4	4	4
	69	46057 Grease Fitting	5	3	4	4	4
22157 & 28260	70	27382 Spider, 3 arm		1			
22159 & 28260		27339 Spider, 4 arm	1		1	1	1
	71	21685 Thrust Plate		1			
		21684 Thrust Plate	1		1	1	1
	72	32123 Thrust Brg. D17	1	1	1	1	1
	73	21671 Inner Ring Std.	1				
		21672 Inner Ring Std.		1			
		21673 Inner Ring Std.			1		
		21674 Inner Ring Std.				1	1
		27439 Gyro Ring Opt.		1			
		27440 Gyro Ring Opt.			1		

Item	Description
80566 a	5/16-18-1/2 Hex Hd Cap S
80468 b	5/16-18-1 1/2 Hx Hd Cap
80086 c	5/16 Lockwasher
80243 d	3/8-24 Jam Nut
80048 e	3/8-16-3/4 Socket Set Scr
80243 f	3/8-16 Jam Nut
80085 g	5/16-18-1 Hx Hd Cap Scr.
80348 h	5/16 Washer
80058 i	3/8 Lockwasher
80470 j	3/8-16-1 Hx Hd Cap Scr.

***27389**

When ordering 27389 use part no. 22200 w/ special note to Bill Martz to face 28318 spacer off to 3/16.